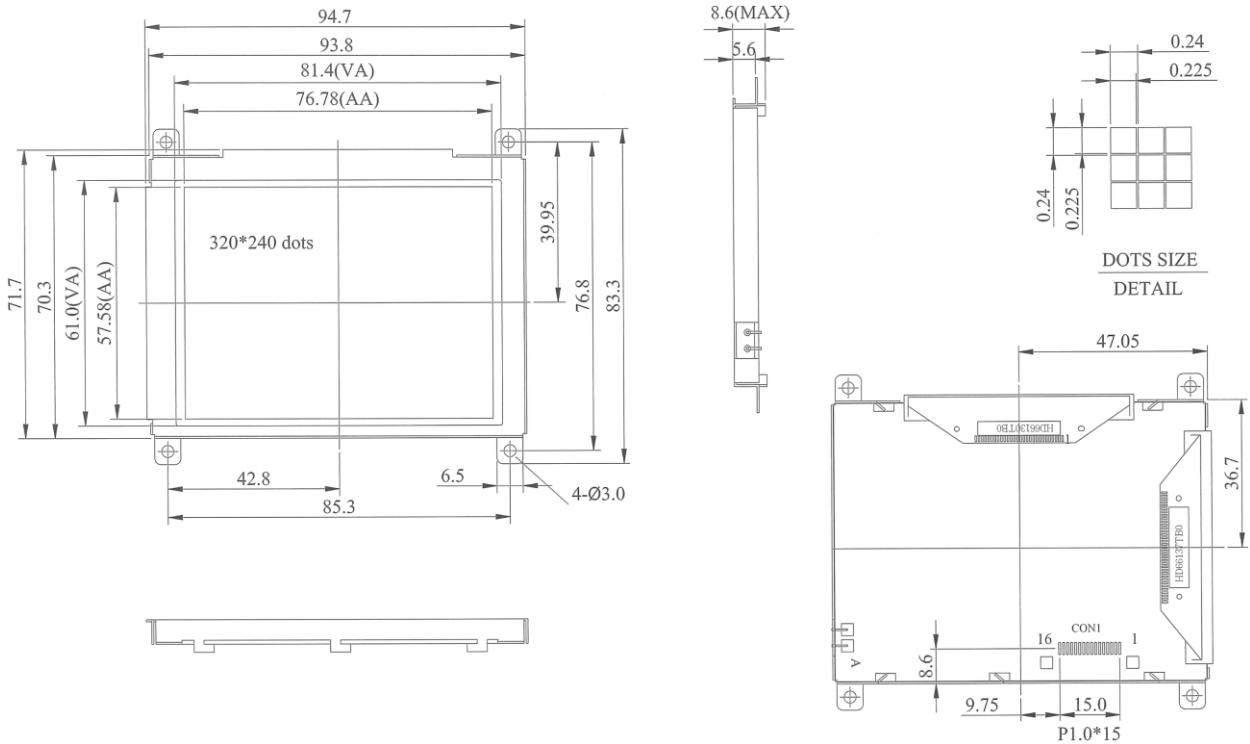


# MSX320240G

Graphic TAB 320x240

# GMS.

■ ■ ■ DISPLAY SYSTEMS



Feature		
1. 320 x 240 dots FSTN		
2. 4-Bit data bus		
3. 1/240 duty cycle		
4. Positive Voltage output (option)		
5. +3.3V (also available for +5V)		
Pin	Symbol	Function
1	CP	Data latch
2	LP	Data shift
3	FLM	Scan start-up signal
4	M	Control signal for AC driving
5	DB0	Data bus line
6	DB1	Data bus line
7	DB2	Data bus line
8	DB3	Data bus line
9	V <sub>LCD</sub>	Power supply for LCD
10	V <sub>CC</sub>	Power supply for logic
11	V <sub>SS</sub>	GND
12	NC	NC
13	K	Power supply for B/L
14	A	Power supply for B/L
15	DISP	Display enable signal
16	V <sub>ee</sub> /FR	FRAME

Mechanical Data					
Item	Standard Value	Unit			
Module Dimension	94.7 x 71.7	mm			
Viewing Area	81.4 x 61.0	mm			
Mounting Hole	85.3 x 83.3	mm			
Dot Size	0.225 x 0.225	mm			
Dot Pitch	0.24 x 0.24	mm			
Absolute Maximum Rating					
Item	Symbol	Standard Value			Unit
		min	typ	max	
Power Supply	V <sub>dd</sub> - V <sub>ss</sub>	3.0	3.3	3.5	V
Input Voltage	V <sub>i</sub>	---	---	V <sub>dd</sub>	V

Electronical Characteristics						
Item	Symbol	Condition	Standard Value			Unit
			min	typ	max	
Input Voltage	V <sub>dd</sub>	L level	0.8V <sub>dd</sub>	---	V <sub>dd</sub>	V
	V <sub>io</sub>	H level	V <sub>ss</sub>	---	0.2V <sub>dd</sub>	V
Supply Current	I <sub>dd</sub>	V <sub>dd</sub> =3.5V	---	23.6	---	mA
Recommended LC Driving Voltage for normal Temperature Version module	V <sub>o</sub> -V <sub>ss</sub>	-20°C	---	---	---	V
		0°C	---	18.7	---	
		25°C	---	---	---	
		50°C	---	---	---	

See Specification for Backlight information.

© 2011 GMS mbH. Errors and omissions excepted.

info@gms-ds.de  
www.gms-ds.de

1 / 1

Richthofenstr. 3  
78048 VS-Villingen  
Germany