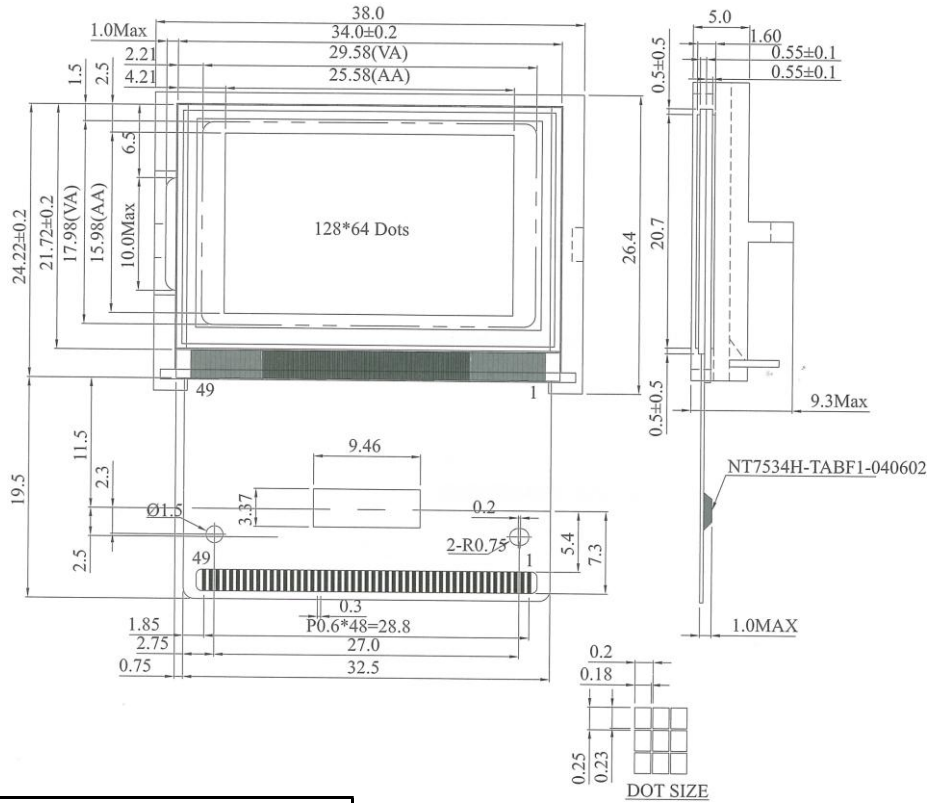


MSX12864T

Graphic TAB 128x64

GMS.

■ ■ ■ DISPLAY SYSTEMS



Feature					
1. Built-in controller Novatek (NT7534)					
2. +3.3V Power supply only					
3. 1/64 duty cycle					
Pin	Symbol	Pin	Symbol	Pin	Symbol
1	NC	19	C1-	37	/WR
2	IRS	20	C3+	38	A0
3	/HPM	21	NC	39	/RES
4	P/S	22	Vout	40	CS2
5	C86	23	Vss	41	/CS1
6	CLS	24	Vdd2	42	NC
7	M/S	25	Vdd2	43	/DOF
8	VR	26	DUTY1	44	CF
9	V0	27	DUTY0	45	FR
10	V4	28	D7	46	NC
11	V3	29	D6	47	NC
12	V2	30	D5	48	NC
13	V1	31	D4	49	NC
14	NC	32	D3		
15	NC	33	D2		
16	C2-	34	D1		
17	C2+	35	D0		
18	C1+	36	/RD		

Mechanical Data					
Item	Standard Value	Unit			
Module Dimension	38.0 x 26.4	mm			
Viewing Area	29.58 x 17.98	mm			
Dot Size	0.18 x 0.23	mm			
Dot Pitch	0.20 x 0.25	mm			
Absolute Maximum Rating					
Item	Symbol	Standard Value	Unit		
		min	typ	max	
Power Supply	Vdd - Vss	1.8	---	3.6	V
Input Voltage	Vi	-0.3	---	Vdd	V

Note: Vss=0 V, Vdd=5.0 V

Electronical Characteristics						
Item	Symbol	Condition	Standard Value			Unit
			min	typ	max	
Input Voltage	Vdd	L level	0.8Vdd	---	Vdd	V
	Vio	H level	---	---	---	
Supply Current	Idd	Vdd=5V	---	---	---	mA
Recommended LC Driving Voltage for normal Temperature Version module	Vdd-Vo	-20°C	9.5	10.0	10.5	V
		0°C	9.3	9.8	10.3	
		25°C	7.9	8.5	8.9	
		50°C	7.0	7.5	8.0	
		70°C	6.8	7.3	7.8	

See Specification for Backlight information.

© 2011 GMS mbH. Errors and omissions excepted.

info@gms-ds.de
www.gms-ds.de

Richthofenstr. 3
78048 VS-Villingen
Germany