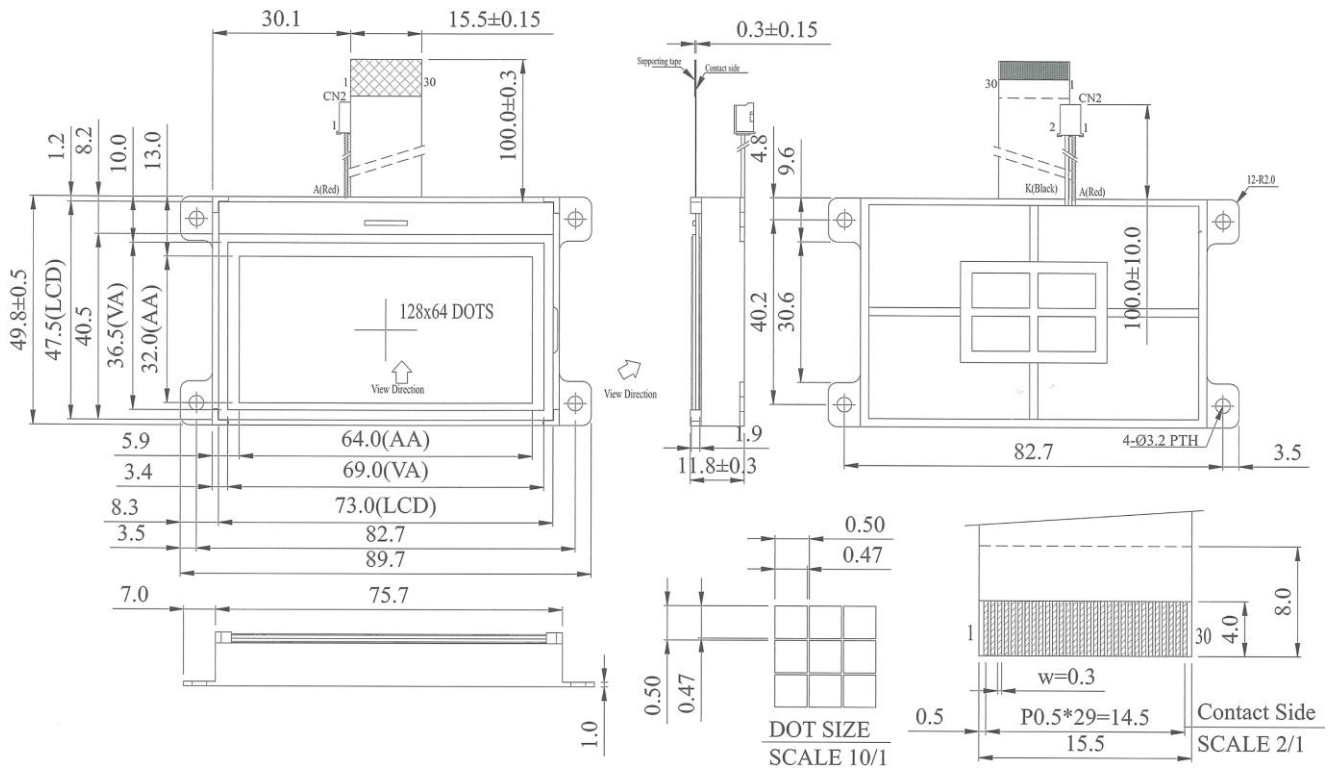


M5O12864B

Graphic COG 128x64

GMS.

■ ■ ■ DISPLAY SYSTEMS



Feature			
1. Built-in controller (ST7565P or equivalent)			
2. 1/64 duty cycle -- 1/9 bias			
3. +3.3V Power supply			
4. MS=12864B1: Thickness 0.6 mm			
Pin	Symbol	Pin	Symbol
1	CS1B	16	Vout
2	/RES	17	CAP3P
3	A0	18	CAP1N
4	/WR (R/W)	19	CAP1P
5	/RD (E)	20	CAP2P
6	D0	21	CAP2N
7	D1	22	V4
8	D2	23	V3
9	D3	24	V2
10	D4	25	V1
11	D5	26	V0
12	D6	27	VR
13	D7	28	C86
14	Vdd	29	P/S
15	Vss	30	NC

Mechanical Data				
Item	Standard Value	Unit		
Module Dimension	89.7 x 49.8	mm		
Viewing Area	69.0 x 36.5	mm		
Dot Size	0.47 x 0.47	mm		
Dot Pitch	0.50 x 0.50	mm		
Absolute Maximum Rating				
Item	Symbol	Standard Value	Unit	
Power Supply	Vdd - Vss	-0.3	---	V
		---	5.0	
		---	---	
Input Voltage	Vi	---	---	V

Note: Vss=0 V, Vdd=3.3 V

Electronical Characteristics						
Item	Symbol	Condition	Standard Value			Unit
			min	typ	max	
Input Voltage	Vdd		2.7	3.0	3.3	V
Supply Current	Idd	Vdd=3.0V	---	0.6	2.0	mA
Recommended LC Driving Voltage for normal Temperature Version module	Vo-Vss	-20°C	9.5	9.8	10.3	V
		0°C	---	---	---	
		25°C	9.20	9.45	9.70	
		50°C	---	---	---	
		70°C	8.95	9.2	9.45	

See Specification for Backlight information.

© 2011 GMS mbH. Errors and omissions excepted.

info@gms-ds.de
www.gms-ds.de

1 / 1

Richthofenstr. 3
78048 VS-Villingen
Germany