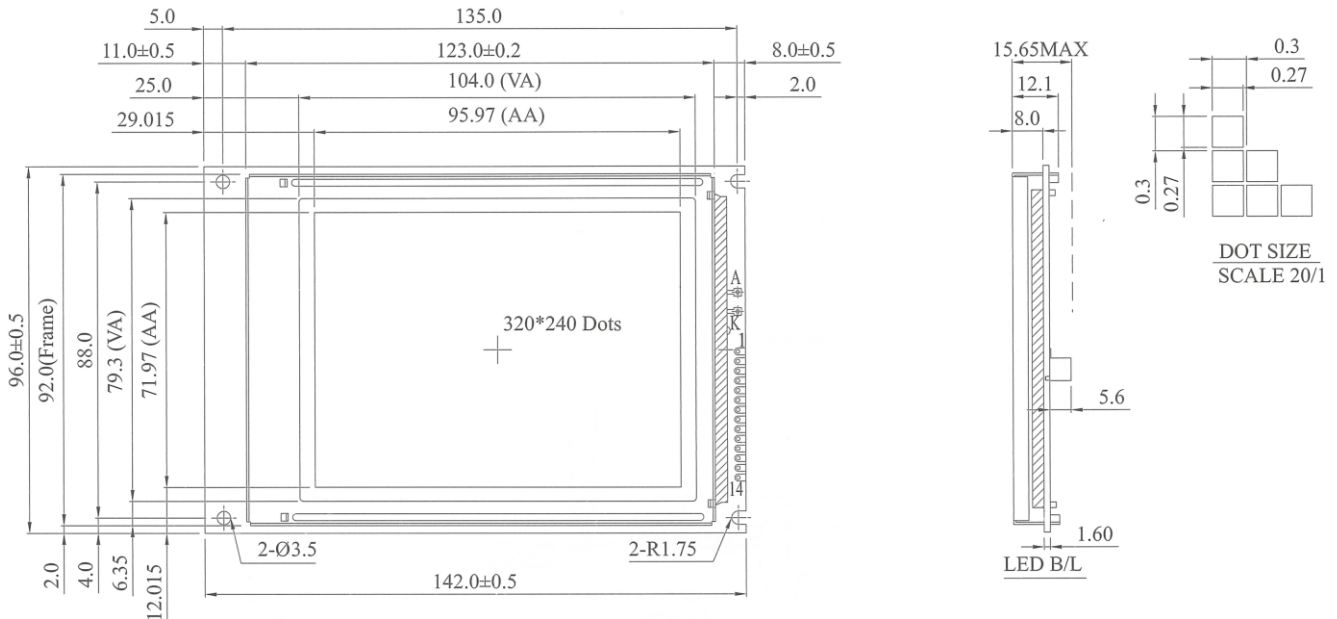


MSG320240D1

Graphic 320x240 dots

GMS.

■ ■ ■ DISPLAY SYSTEMS



Feature		
1. 320 x 240 dots		
2. +5V Power supply		
3. 1/240 duty cycle		
4. No controller		
5. Touch Screen option		
6. Controller RA8835 optional (MSG320240D0)		
Pin	Symbol	Function
1	Frame	First line marker
2	DF	Alternate signal
3	Load	Data latch
4	CP	Data shift
5	DISPOFF	Hon Loff
6	D0	Data bus line
7	D1	Data bus line
8	D2	Data bus line
9	D3	Data bus line
10	Vdd	Power supply for logic
11	Vss	GND
12	Vee	Negative Voltage
13	Vo	Operating Voltage LCD driving
14	FG	Frame Ground

Mechanical Data					
Item	Standard Value	Unit			
Module Dimension	142.0 x 96.0	mm			
Viewing Area	104.0 x 79.3	mm			
Mounting Hole	135.0 x 88.0	mm			
Dot Size	0.27 x 0.27	mm			
Dot Pitch	0.30 x 0.30	mm			
Absolute Maximum Rating					
Item	Symbol	Standard Value			Unit
		min	typ	max	
Power Supply	Vdd - Vss	4.75	5.0	5.25	V
Input Voltage	Vi	-0.3	---	Vdd	V

Note: Vss=0 V, Vdd=5.0 V

Electronical Characteristics						
Item	Symbol	Condition	Standard Value			Unit
			min	typ	max	
Input Voltage	Vdd	---	---	5.0	5.5	V
Supply Current	Idd	Vdd=5V	---	10.0	15.0	mA
Recommended LC Driving Voltage for Normal Temperature Version module	Vdd-V0	-20°C	---	---	26.1	V
		25°C	---	23.8	---	
		70°C	20.9	---	---	

See Specification for Backlight information.

© 2011 GMS mbH. Errors and omissions excepted.

info@gms-ds.de
www.gms-ds.de

1 / 1

Richthofenstr. 3
78048 VS-Villingen
Germany