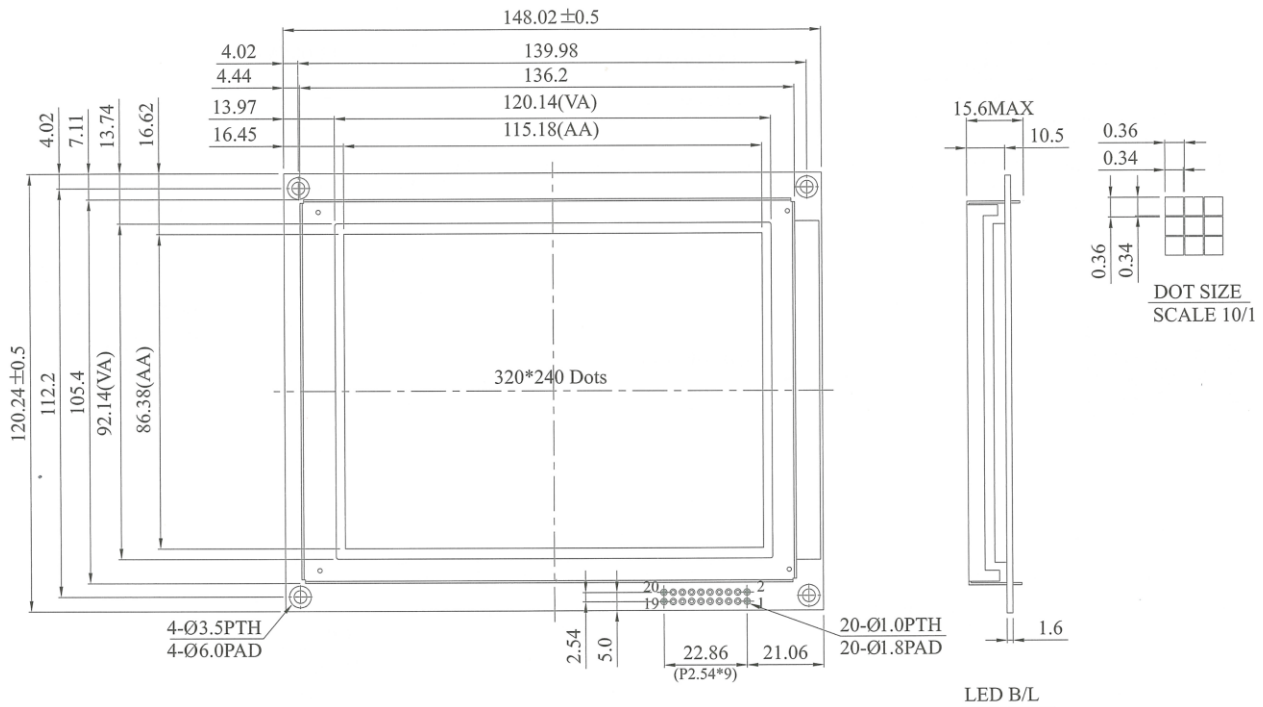


MSG320240C0

Graphic 320x240 dots

GMS.

■ ■ ■ DISPLAY SYSTEMS



Feature		
1. Built-in RA8835 Controller and SRAM		
2. Built-in Negative Voltage generator		
3. 1/240 duty cycle		
4. Touch Screen option (analog type)		
5. Temperature compensation (option)		
6. MSG320240Q: Pin 19 & 20 for A & K Backlight		
Pin	Symbol	Function
1	Vss	GND
2	Vdd	Power supply for logic
3	Vo	Driving Voltage for LCD
4	RD	8081 family: Read signal, 6800 family: Enable clock
5	WR	8080 family: Write signal, 6800 family: R/W signal
6	Ao	Data type select
7	DB0	Data bus line
8	DB1	Data bus line
9	DB2	Data bus line
10	DB3	Data bus line
11	DB4	Data bus line
12	DB5	Data bus line
13	DB6	Data bus line
14	DB7	Data bus line
15	CS	Chip select, Active L
16	RES	Controller reset signal Active L
17	Vee	Negative Voltage output
18	FG	Frame Ground
19	DISPOFF	DISPOFF
20	WAIT	Check Bus

Mechanical Data						
Item	Standard Value	Unit				
Module Dimension	148.02 x 120.24 x 15.6	mm				
Viewing Area	120.14 x 92.14	mm				
Mounting Hole	139.98 x 112.2	mm				
Dot Size	0.34 x 0.34	mm				
Dot Pitch	0.36 x 0.36	mm				
Absolute Maximum Rating						
Item	Symbol	Standard Value			Unit	
Power Supply	Vdd - Vss	min	4.75	5.0	5.25	V
		typ	5.0	5.25	5.5	
		max	5.5	5.75	6.0	
Input Voltage	Vi	0	---	Vdd	V	

Note: Vss=0 V, Vdd=5.0 V

Electronical Characteristics						
Item	Symbol	Condition	Standard Value			Unit
			min	typ	max	
Input Voltage	Vdd	L level	0.7V _{dd}	---	Vdd	V
	Vio	H level	0	---	0.3V _{dd}	V
Supply Current	I _{dd}	Vdd=5V	---	100	105	mA
Recommended LC Driving Voltage for Normal Temperature Version module	Vdd-V0	-20°C	---	---	26.1	V
		25°C	---	23.8	---	
		70°C	20.9	---	---	

See Specification for Backlight information.

© 2011 GMS mbH. Errors and omissions excepted.