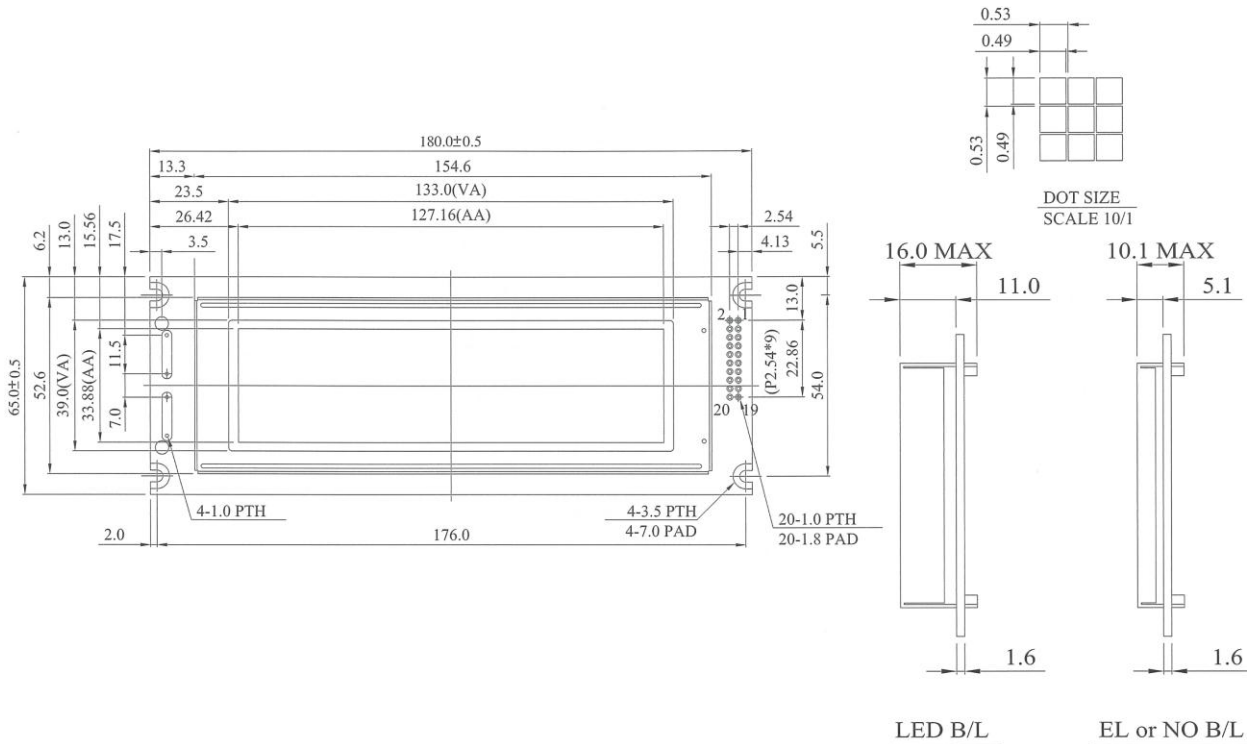


# MSG24064B

Graphic 240x64 dots

# GMS.

■ ■ ■ DISPLAY SYSTEMS



| Feature   |         |                                   |
|---|---------|-----------------------------------|
| 1. Built-in controller Sanyo (LC7981 or equivalent) |         |                                   |
| 2. +5V Power supply                                 |         |                                   |
| 3. 1/64 duty cycle                                  |         |                                   |
| 4. Built-in N.V.                                    |         |                                   |
| Pin   | Symbol  | Function                          |
| 1   | Vss     | Power supply (GND)                |
| 2   | Vdd     | Power supply (+5V)                |
| 3   | Vo      | Contrast Adjustment               |
| 4   | RS      | Data / instruction select         |
| 5   | R/W     | Data read / write                 |
| 6   | E       | Enable signal                     |
| 7   | DB0     | Data busline                      |
| 8   | DB1     | Data busline                      |
| 9   | DB2     | Data busline                      |
| 10  | DB3     | Data busline                      |
| 11  | DB4     | Data busline                      |
| 12  | DB5     | Data busline                      |
| 13  | DB6     | Data busline                      |
| 14  | DB7     | Data busline                      |
| 15  | CS      | Chip select                       |
| 16  | Reset   | Reset signal                      |
| 17  | Vee     | Negative Voltage output           |
| 18  | FG      | Frame Ground (connected to bezel) |
| 19  | A / Rev | A / Reverso                       |
| 20  | K / FG  | K / Frame Ground                  |

| Mechanical Data         |                |                |     |      |      |
|-------------------------|----------------|----------------|-----|------|------|
| Item                    | Standard Value | Unit           |     |      |      |
| Module Dimension        | 180.0 x 65.0   | mm             |     |      |      |
| Viewing Area            | 133.0 x 39.0   | mm             |     |      |      |
| Mounting Hole           | 176.0 x 54.0   | mm             |     |      |      |
| Dot Size                | 0.49 x 0.49    | mm             |     |      |      |
| Dot Pitch               | 0.53 x 0.53    | mm             |     |      |      |
| Absolute Maximum Rating |                |                |     |      |      |
| Item                    | Symbol         | Standard Value |     |      | Unit |
|                         |                | min            | typ | max  |      |
| Power Supply            | Vdd - Vss      | 4.75           | 5.0 | 5.25 | V    |
| Input Voltage           | Vi             | -0.3           | --- | Vdd  | V    |

Note: Vss=0V, Vdd=5.0V

| Electronical Characteristics   |        |           |                |      |        |      |
|--|--------|-----------|----------------|------|--------|------|
| Item   | Symbol | Condition | Standard Value |      |        | Unit |
|  |        |           | min            | typ  | max    |      |
| Input Voltage  | Vdd    | L level   | 0.7Vdd         | ---  | Vdd    | V    |
|  | Vo     | H level   | 0              | ---  | 0.3Vdd |      |
| Supply Current   | Idd    | Vdd=5V    | ---            | 18.6 | 24.0   | mA   |
| Recommended LC Driving Voltage for normal Temperature Version module | Vdd-Vo | -20°C     | 13.0           | 13.5 | 14.1   | V    |
|  |        | 0°C       | 12.5           | 13.1 | 13.7   |      |
|  |        | 25°C      | 12.1           | 12.7 | 13.3   |      |
|  |        | 50°C      | 11.1           | 12.2 | 13.0   |      |
|  |        | 70°C      | 9.1            | 11.6 | 12.8   |      |

See Specification for Backlight information.

© 2011 GMS mbH. Errors and omissions excepted.

info@gms-ds.de  
www.gms-ds.de

1 / 1

Richthofenstr. 3  
78048 VS-Villingen  
Germany