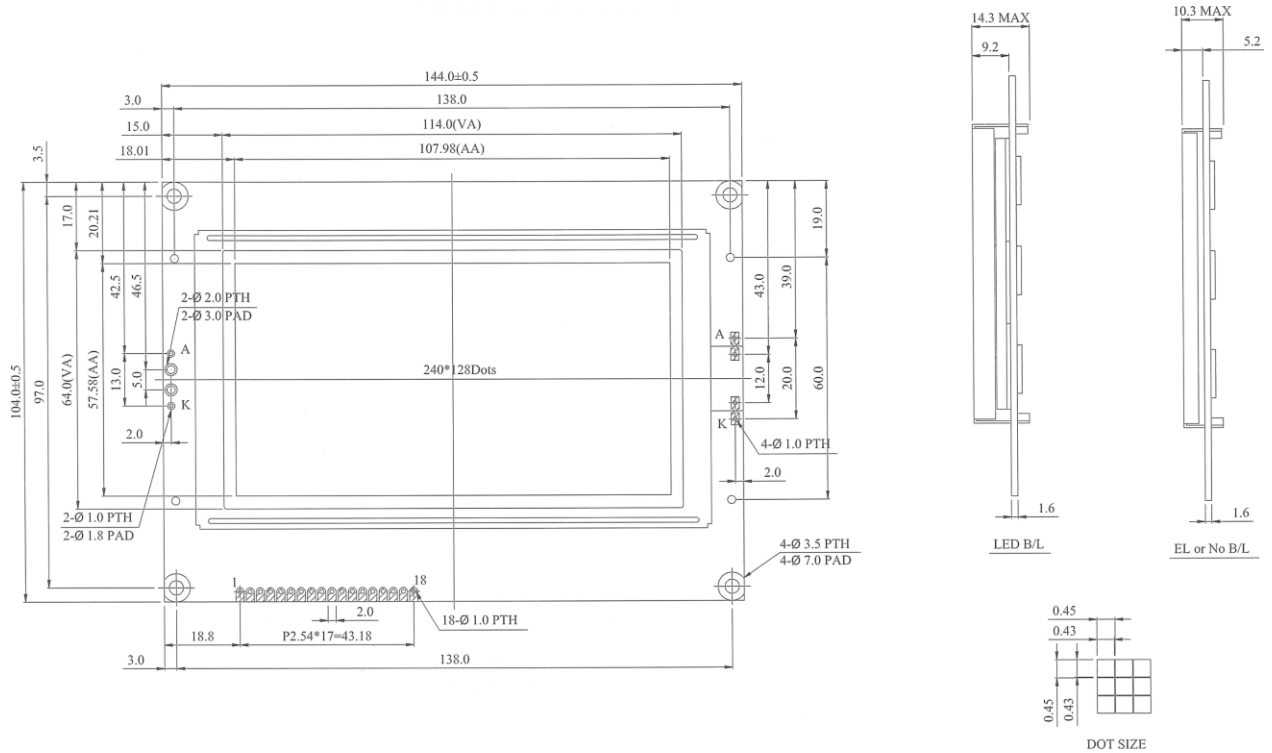


MSG240128E

Graphic 240x128 dots

GMS.

■ ■ ■ DISPLAY SYSTEMS



Feature		
1. Built-in controller RA6963		
2. +5V power supply		
3. 1/128 duty cycle		
4. Built-in N.V.		
5. MSG240128EP1: 20 Pins, Pin 19 and 20 for Backlight		
Pin	Symbol	Function
1	FG	Frame GND
2	Vss	GND
3	Vdd	+5V
4	Vo	Scan Start-up signal
5	WR	Frame reverse signal (alternate Signal)
6	RD	Data Latch epulse
7	CE	Display Enable signal
8	C/D	Data Shift pulse
9	RST	Display Data signal
10	DB0	Data bus line
11	DB1	Data bus line
12	DB2	Data bus line
13	DB3	Data bus line
14	DB4	Data bus line
15	DB5	Data bus line
16	DB6	Data bus line
17	DB7	Data bus line
18	FS	Pins for selection of font H: 6x8, L: 8x8

Mechanical Data					
Item	Standard Value	Unit			
Module Dimension	144.0 x 104.0	mm			
Viewing Area	114.0 x 64.0	mm			
Dot Size	0.43 x 0.43	mm			
Dot Pitch	0.45 x 0.45	mm			
Absolute Maximum Rating					
Item	Symbol	Standard Value			Unit
		min	typ	max	
Power Supply	Vdd - Vss	4.75	5.0	5.25	V
Input Voltage	Vi	-0.3	---	Vdd	V
Note: Vss=0 V, Vdd=5.0 V					

Electronical Characteristics						
Item	Symbol	Condition	Standard Value			Unit
			min	typ	max	
Input Voltage	Vdd	L level	0.7V _{dd}	---	Vdd	V
	Vio	H level	---	---	0.3V _{dd}	V
Supply Current	I _{dd}	Vdd=5V	0	55	60	mA
Recommended LC Driving Voltage for Normal Temperature Version module	Vdd-V0	0°C	20.3	21.4	22.5	V
		25°C	18.0	19.1	20.2	
		50°C	17.8	18.9	20.0	

See Specification for Backlight information.

© 2011 GMS mbH. Errors and omissions excepted.

info@gms-ds.de
www.gms-ds.de

1 / 1

Richthofenstr. 3
78048 VS-Villingen
Germany