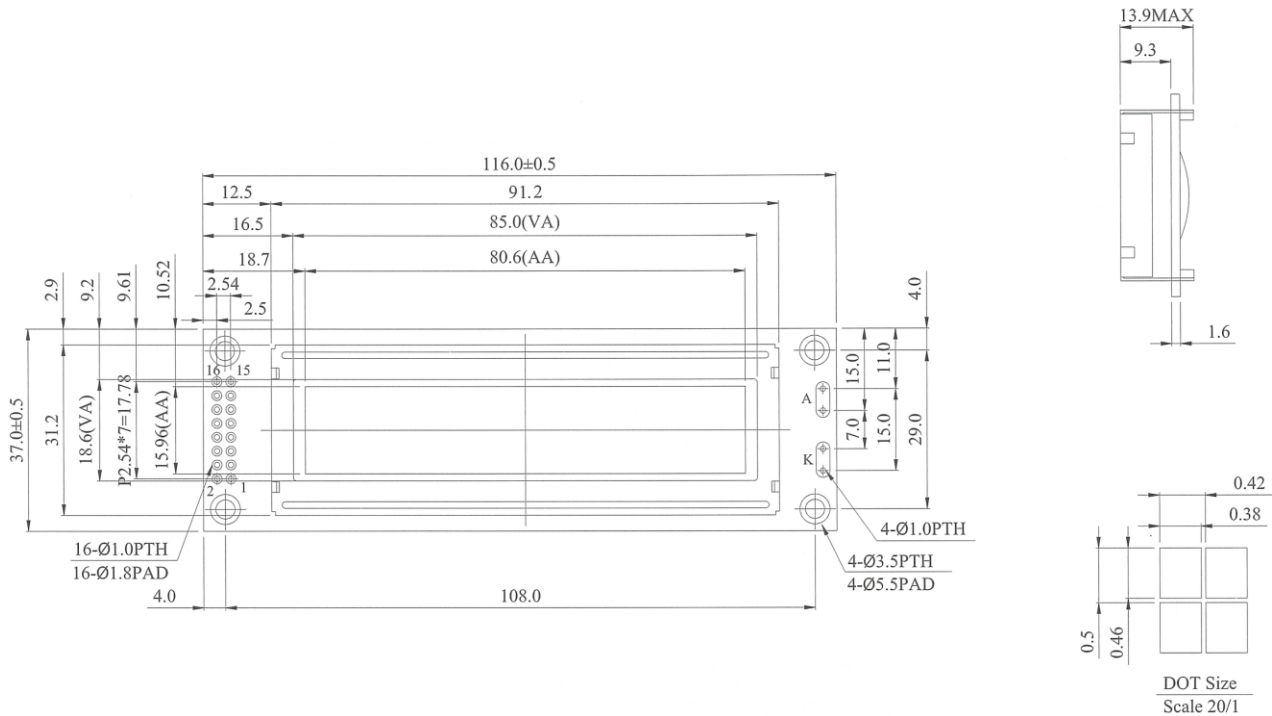


MSG19232B

Graphic 192x32 dots

GMS.

■ ■ ■ DISPLAY SYSTEMS



Feature		
1. Built-in controller (ST7920)		
2. +5V Power supply		
3. 1/32 duty cycle		
4. LED can be driven by PIN 15, 16		
5. Chinese Version		
Pin	Symbol	Function
1	Vss	GND
2	Vdd	Supply voltage for logic
3	NC	NC
4	RS	Register select signal
5	R/W	H: read data / L: write data
6	E	Enable signal
7	DB0	Data bus line
8	DB1	Data bus line
9	DB2	Data bus line
10	DB3	Data bus line
11	DB4	Data bus line
12	DB5	Data bus line
13	DB6	Data bus line
14	DB7	Data bus line
15	A	Power supply for B/L (+)
16	K	Power supply for B/L (-)

Mechanical Data						
Item	Standard Value	Unit				
Module Dimension	116.0 x 37.0	mm				
Viewing Area	85.0 x 18.6	mm				
Mounting hole	108.0 x 29.0	mm				
Dot Size	0.38 x 0.46	mm				
Dot Pitch	0.42 x 0.50	mm				
Absolute Maximum Rating						
Item	Symbol	Standard Value			Unit	
Power Supply	Vdd - Vss	min	4.75	5.0	5.25	V
		typ				
		max				
Input Voltage	Vi	0	---	Vdd	V	

Note: Vss=0 V, Vdd=5.0 V

Electronical Characteristics						
Item	Symbol	Condition	Standard Value			Unit
			min	typ	max	
Input Voltage	Vdd	L level	0.7Vdd	---	Vdd	V
	Vio	H level	0	---	0.3Vdd	
Supply Current	Idd	Vdd=±5V	---	2	---	mA
Recommended LC Driving Voltage for normal Temperature Version module	Vo-Vss	-20°C	---	---	5.2	V
		0°C	---	---	4.8	
		25°C	---	4.5	---	
		50°C	4.7	---	---	
		70°C	3.8	---	---	

See Specification for Backlight information.

© 2011 GMS mbH. Errors and omissions excepted.

info@gms-ds.de
www.gms-ds.de

1 / 1

Richthofenstr. 3
78048 VS-Villingen
Germany