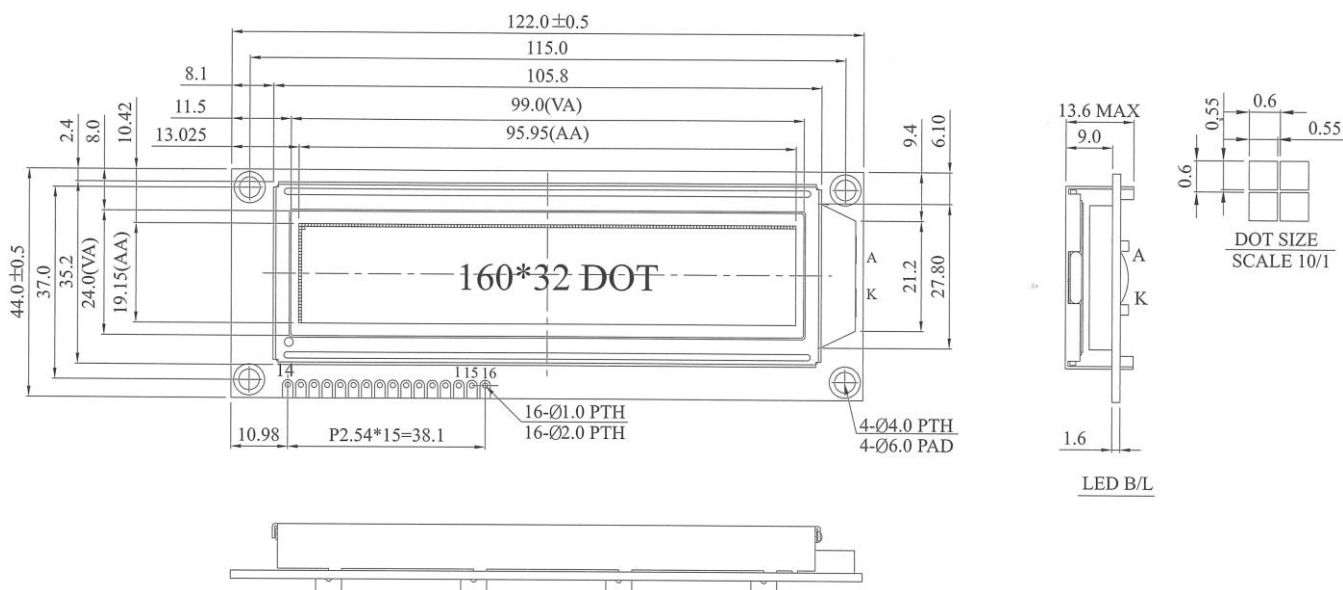


# MSG16032D3/D5 **GMS.**

Graphic 160x32 dots ■ ■ ■ DISPLAY SYSTEMS



Feature		
1. 160x32 dots includes cursor		
2. Built-in controller ST7920		
3. +3,3V / +5V power supply		
4. 1/32 duty cycle		
5. Negative Voltage built-in		
Pin	Symbol	Function
1	Vss	GND
2	Vdd	Supply voltage for logic
3	Vo	Contrast Adjustment
4	RS	Register select signal
5	R/W	H: read data / L: write data
6	E	Enable signal
7	DB0	Data bus line
8	DB1	Data bus line
9	DB2	Data bus line
10	DB3	Data bus line
11	DB4	Data bus line
12	DB5	Data bus line
13	DB6	Data bus line
14	DB7	Data bus line
15	Vout	Positive Voltage Output
16	NC	NC

Mechanical Data					
Item	Standard Value	Unit			
Module Dimension	122.0 x 44.0	mm			
Viewing Area	99.0 x 24.0	mm			
Mounting Hole	115.0 x 37.0	mm			
Dot Size	0.55 x 0.55	mm			
Dot Pitch	0.60 x 0.60	mm			
Absolute Maximum Rating					
Item	Symbol	Standard Value			Unit
		min	typ	max	
Power Supply	Vdd - Vss	4.75	5.0	5.25	V
Input Voltage	Vi	0	---	Vdd	V

Note: Vss=0 V, Vdd=5.0 V

Electronical Characteristics						
Item	Symbol	Condition	Standard Value			Unit
			min	typ	max	
Input Voltage	Vdd	---	3.0	3.3	3.6	V
			4.5	5.0	5.5	
Supply Current	Idd	Vdd=5V	4.48	5.15	5.73	mA
Recommended LC Driving Voltage for normal Temperature Version module	Vdd-Vo	-20°C	---	---	---	V
		25°C	4.13	4.75	5.28	
		70°C	---	---	---	

See Specification for Backlight information.

© 2011 GMS mbH. Errors and omissions excepted.