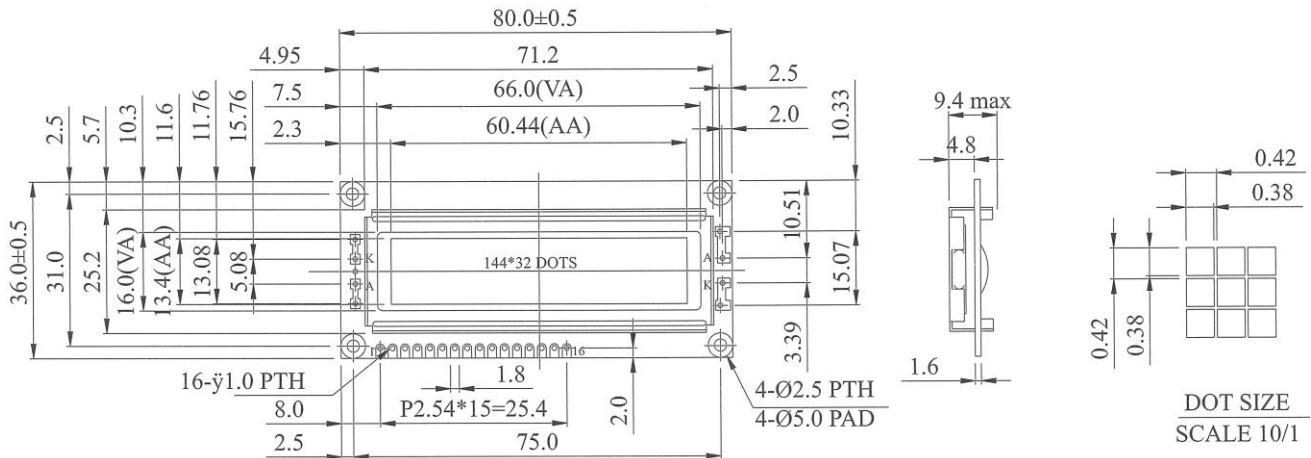


# MSG14432E

Graphic 144x32 dots

# GMS.

■ ■ ■ DISPLAY SYSTEMS



Feature		
1. Built-in controller (ST7920)		
2. +5V Power supply		
3. 1/32 duty cycle		
Pin	Symbol	Function
1	Vss	GND
2	Vdd	Power supply (+5V)
3	Vo	Contrast Adjustment
4	RS	H/L Register select signal
5	R/W	H/L read / write signal
6	E	H->L Enable signal
7	DB0	H/L Data bus line
8	DB1	H/L Data bus line
9	DB2	H/L Data bus line
10	DB3	H/L Data bus line
11	DB4	H/L Data bus line
12	DB5	H/L Data bus line
13	DB6	H/L Data bus line
14	DB7	H/L Data bus line
15	A / Vout	Power supply for B/L/ Positive voltage Output
16	K	Power supply for B/L

Mechanical Data					
Item	Standard Value	Unit			
Module Dimension	88.0 x 36.0	mm			
Viewing Area	66.0 x 16.0	mm			
Mounting Hole	75.0 x 31.0	mm			
Dot Size	0.38 x 0.38	mm			
Dot Pitch	0.42 x 0.42	mm			
Absolute Maximum Rating					
Item	Symbol	Standard Value			Unit
		min	typ	max	
Power Supply	Vdd - Vss	4.75	5.0	5.25	V
Input Voltage	Vi	0	---	Vdd	V

Note: Vss=0 V, Vdd=5.0 V

Electronical Characteristics						
Item	Symbol	Condition	Standard Value			Unit
			min	typ	max	
Input Voltage	Vdd	---	4.5	5.0	5.5	V
Supply Current	Idd	Vdd=5V	16	2.2	3.5	mA
Recommended LC Driving Voltage for normal Temperature Version module	Vo-Vss	-20°C	---	---	5.5	V
		25°C	---	4.8	---	
		70°C	4.2	---	---	

See Specification for Backlight information.

© 2011 GMS mbH. Errors and omissions excepted.

info@gms-ds.de  
www.gms-ds.de

1 / 1

Richthofenstr. 3  
78048 VS-Villingen  
Germany