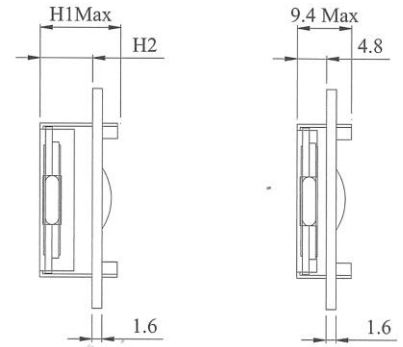
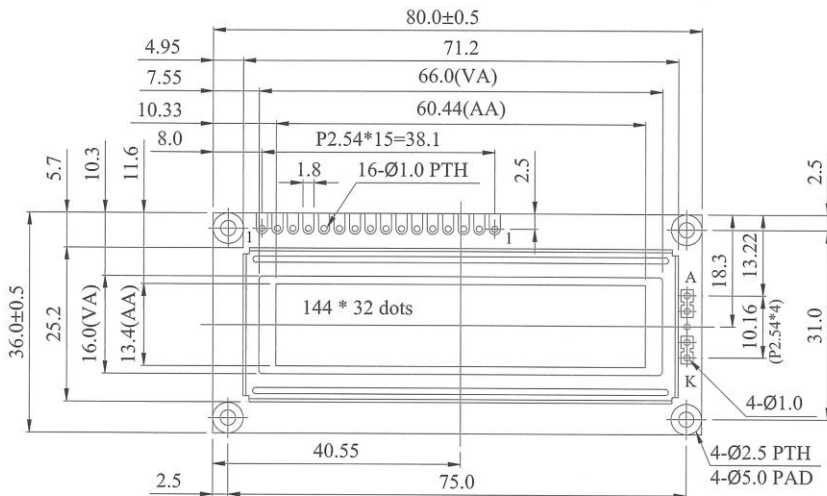


MSG14432B

Graphic 144x32 dots

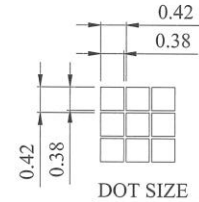
GMS.

■ ■ ■ DISPLAY SYSTEMS



LED H/L B/L	
	High / Low
H1	13.2 / 12.1
H2	8.6 / 7.5

EL or NO B/L



Feature		
1. Built-in controller (ST7920)		
2. +5V Power supply		
3. 1/32 duty cycle		
4. LED can be driven by Pin 15, Pin 16 or A, K		
5. Chinese Version		
6. Same size as MSH1602B		
Pin	Symbol	Function
1	Vss	GND
2	Vdd	Power supply (+5V)
3	Vo	Contrast Adjustment
4	RS	H/L Register select signal
5	R/W	H/L read / write signal
6	E	H->L Enable signal
7	DB0	H/L Data bus line
8	DB1	H/L Data bus line
9	DB2	H/L Data bus line
10	DB3	H/L Data bus line
11	DB4	H/L Data bus line
12	DB5	H/L Data bus line
13	DB6	H/L Data bus line
14	DB7	H/L Data bus line
15	A	Power supply for B/L
16	K	Power supply for B/L

Mechanical Data					
Item	Standard Value	Unit			
Module Dimension	80.0 x 36.0	mm			
Viewing Area	66.0 x 16.0	mm			
Mounting Hole	75.0 x 31.0	mm			
Dot Size	0.38 x 0.38	mm			
Dot Pitch	0.42 x 0.42	mm			
Absolute Maximum Rating					
Item	Symbol	Standard Value			Unit
		min	typ	max	
Power Supply	Vdd - Vss	0	---	7.0	V
Input Voltage	Vi	0	---	Vdd	V

Note: Vss=0 V, Vdd=5.0 V

Electronical Characteristics						
Item	Symbol	Condition	Standard Value			Unit
			min	typ	max	
Input Voltage	Vdd	Vdd=±5V	4.5	5.0	5.5	V
Supply Current	Idd	Vdd=5V	---	1.2	1.5	mA
Recommended LC Driving Voltage for normal Temperature Version module	Vo-Vss	-20°C	---	---	6.0	V
		0°C	---	---	5.0	
		25°C	---	4.7	---	
		50°C	4.4	---	---	
70°C	4.0	---	---			

See Specification for Backlight information.

© 2011 GMS mbH. Errors and omissions excepted.

info@gms-ds.de
www.gms-ds.de

Richthofenstr. 3
78048 VS-Villingen
Germany