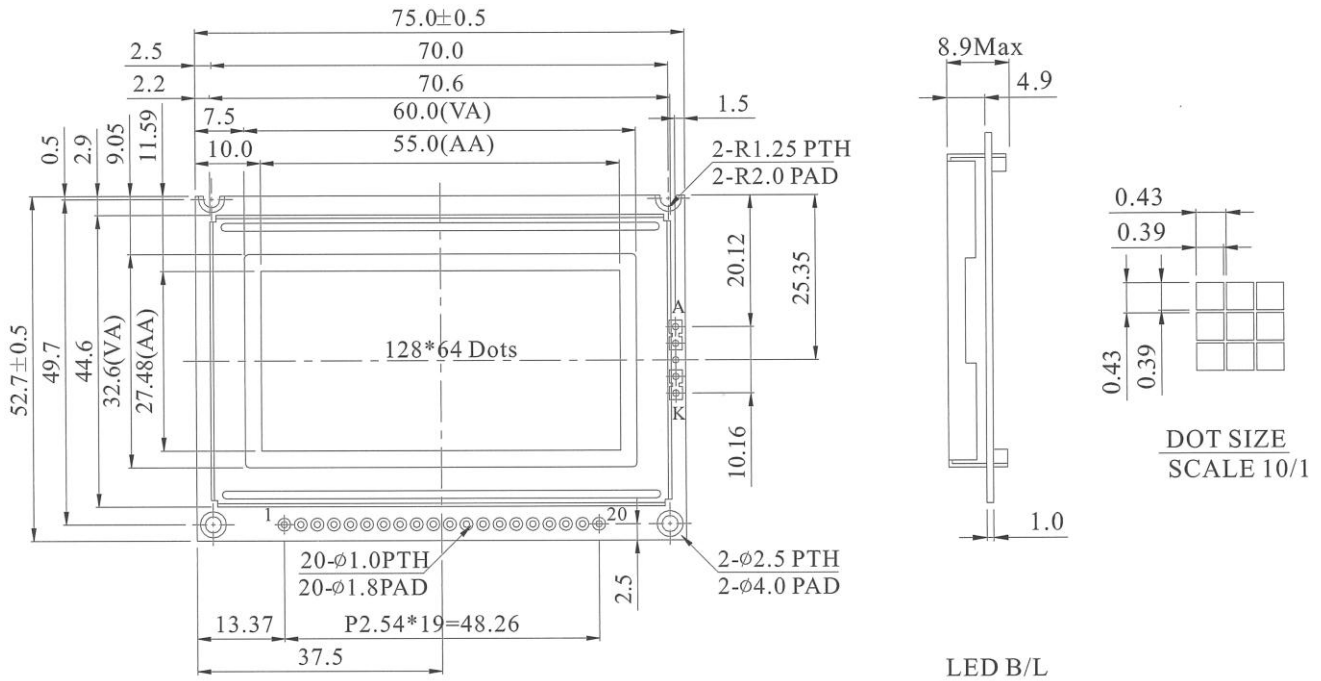


MSG12864B

Graphic 128x64 dots

GMS.

■ ■ ■ DISPLAY SYSTEMS



LED B/L

Feature		
1. Built-in controller (NT7108 or equivalent)		
2. +5V Power supply		
3. 1/64 duty cycle		
4. N.V. Built-in		
5. MSG12864S: Chinese built-in		
6. MSG12864BPt: +3.3V option		
Pin	Symbol	Function
1	Vdd	Power supply +5V
2	Vss	GND
3	Vo	Contrast Adjustment
4	DB0	Data bus line
5	DB1	Data bus line
6	DB2	Data bus line
7	DB3	Data bus line
8	DB4	Data bus line
9	DB5	Data bus line
10	DB6	Data bus line
11	DB7	Data bus line
12	CS1	Chip select IC1
13	CS2	Chip select IC2
14	RST	Reset signal
15	R/W	Data read / write
16	D / I	Data / Instruction
17	E	Enable signal
18	Vee	Negative Voltage output
19	A	Power supply for LED (+)
20	K	Power supply for LED (-)

Mechanical Data						
Item	Standard Value	Unit				
Module Dimension	75.0 x 52.7	mm				
Viewing Area	60.0 x 32.6	mm				
Mounting Hole	70.0 x 49.7	mm				
Dot Pitch	0.43 x 0.43	mm				
Absolute Maximum Rating						
Item	Symbol	Standard Value			Unit	
Power Supply	Vdd - Vss	min	4.75	5.0	5.25	V
		typ				
		max				
Input Voltage	Vi	-0.3	---	Vdd	V	

Note: Vss=0 V, Vdd=5.0 V

Electronical Characteristics						
Item	Symbol	Condition	Standard Value			Unit
			min	typ	max	
Input Voltage	Vdd	L level	0.7Vdd	---	Vdd	V
	Vio	H level	0	---	0.3Vdd	
Supply Current	Idd	Vdd=5V	---	4.0	5.2	mA
Recommended LC Driving Voltage for normal Temperature Version module	Vdd-Vo	-20°C	9.9	10.4	10.9	V
		0°C	9.7	10.2	10.7	
		25°C	7.5	8.0	8.5	
		50°C	8.6	9.1	9.6	
		70°C	8.4	8.9	9.4	

See Specification for Backlight information.

© 2011 GMS mbH. Errors and omissions excepted.