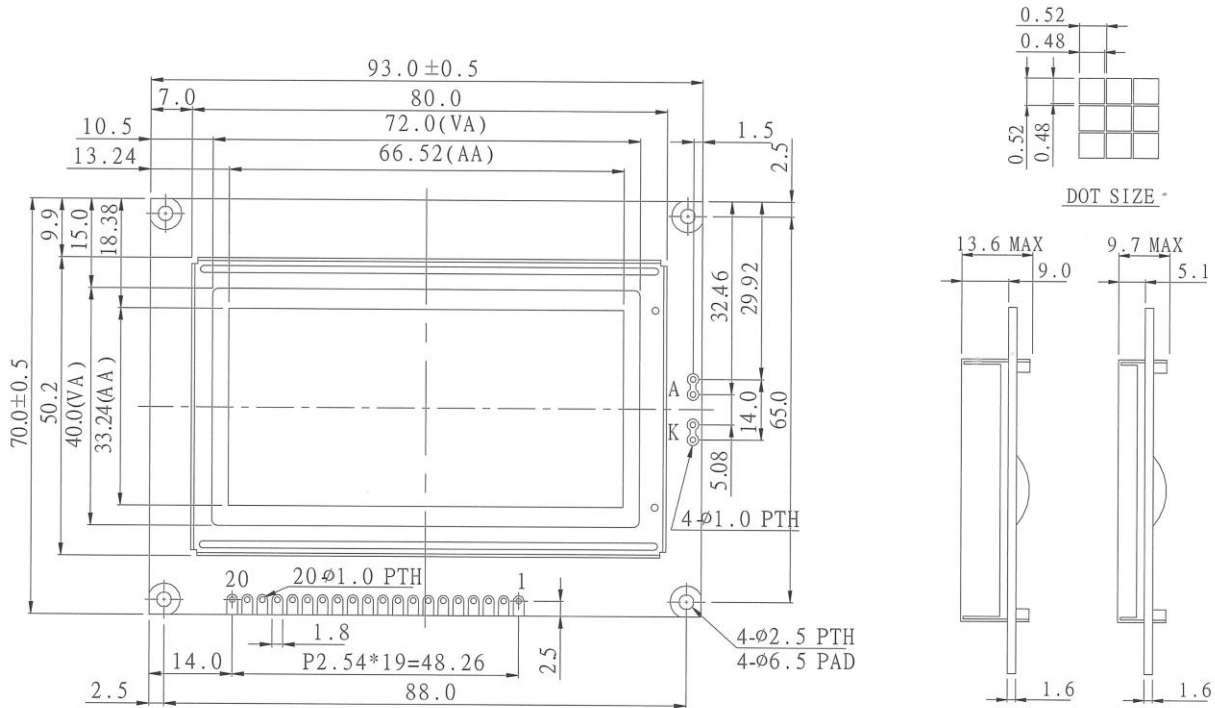


MSG12864A

Graphic 128x64 dots

GMS.

■ ■ ■ DISPLAY SYSTEMS



LED B/L

EL or NO B/L

Feature		
1. Built-in controller (NT7108 or equivalent)		
2. +5V Power supply		
3. 1/64 duty cycle		
4. MSG12864AB: N.V. option for +3.3V		
5. MSG12864A f: double-row interface		
Pin	Symbol	Function
1	Vss	GND
2	Vdd	Power supply +5V
3	Vo	Contrast Adjustment
4	D/I	Data / Instruction
5	R/W	Data read / write
6	E	H->L Enable signal
7	DB0	Data bus line
8	DB1	Data bus line
9	DB2	Data bus line
10	DB3	Data bus line
11	DB4	Data bus line
12	DB5	Data bus line
13	DB6	Data bus line
14	DB7	Data bus line
15	CS1	Chip select for IC1
16	CS2	Chip select for IC2
17	RST	Reset
18	Vee	Negative voltage output
19	A	Power supply for LED (+)
20	K	Power supply for LED (-)

Mechanical Data					
Item	Standard Value	Unit			
Module Dimension	93.0 x 70.0	mm			
Viewing Area	72.0 x 40.0	mm			
Mounting Hole	88.0 x 65.0	mm			
Dot Pitch	0.52 x 0.52	mm			
Absolute Maximum Rating					
Item	Symbol	Standard Value	Unit		
		min	typ	max	
Power Supply	Vdd - Vss	4.75	5.0	5.25	V
Input Voltage	Vi	-0.3	---	Vdd	V

Note: Vss= 0 V, Vdd=5.0 V

Electronical Characteristics						
Item	Symbol	Condition	Standard Value			Unit
			min	typ	max	
Input Voltage	Vdd	L level	0.7Vdd	---	Vdd	V
	Vio	H level	0	---	0.3Vdd	
Supply Current	Idd	Vdd=5V	---	2.5	7.5	mA
Recommended LC Driving Voltage for normal Temperature Version module	Vdd-Vo	-20°C	9.9	10.4	10.9	V
		0°C	9.7	10.2	10.7	
		25°C	8.9	9.4	9.9	
		50°C	8.6	9.1	9.6	
		70°C	8.4	8.9	9.4	

See Specification for Backlight information.

© 2011 GMS mbH. Errors and omissions excepted.