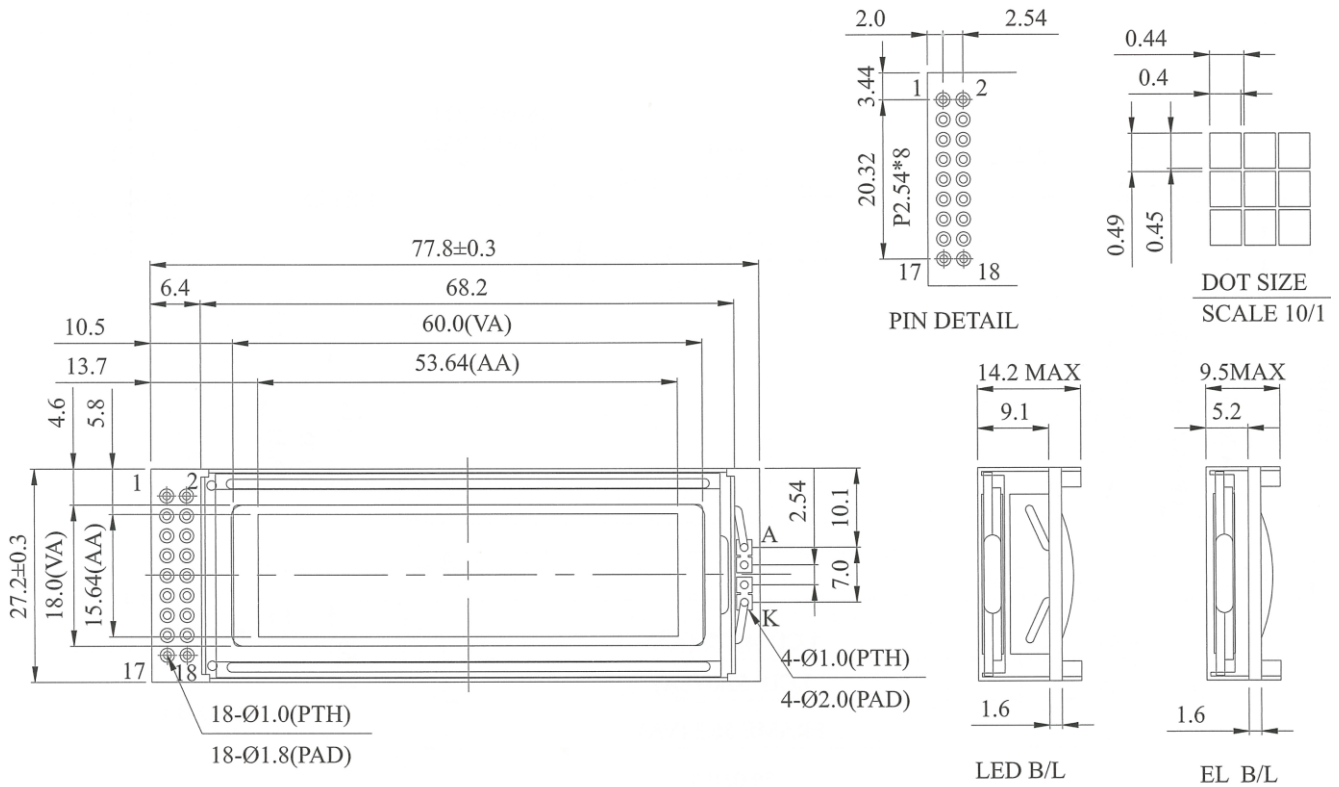


MSG122320

Graphic 122x32 dots

GMS.

■ ■ ■ DISPLAY SYSTEMS



Feature		
1. Built-in controller Avant (SBN1661G) or equivalent		
2. 1/32 duty cycle		
3. N.V. optional for +3V power supply		
4. LED Backlight only White version		
Pin	Symbol	Function
1	Vss	GND
2	Vdd	Supply Voltage for lohic
3	Vo	Operation Voltage for LCD
4	Ao	H->Data L->Instruction
5	CS1	L->Chip1 Enable
6	CS2	L->Chip2 Enable
7	NC / CL	No connection / External clock 2KHz
8	NC / E	No connection / Enable signal
9	R/W	H: read Data L: write Data
10	DB0	Data bus line
11	DB1	Data bus line
12	DB2	Data bus line
13	DB3	Data bus line
14	DB4	Data bus line
15	DB5	Data bus line
16	DB6	Data bus line
17	DB7	Data bus line
18	RES	H->L Reset the LCM

Mechanical Data					
Item	Standard Value	Unit			
Module Dimension	77.8 x 27.2	mm			
Viewing Area	60.0 x 18.0	mm			
Dot Size	0.40 x 0.45	mm			
Dot Pitch	0.44 x 0.49	mm			
Absolute Maximum Rating					
Item	Symbol	Standard Value			Unit
Power Supply	Vdd - Vss	4.75	5.0	5.25	V
Input Voltage	Vi	0	---	Vdd	V
Note: Vss=0 V, Vdd=5.0 V					

Electronical Characteristics						
Item	Symbol	Condition	Standard Value			Unit
			min	typ	max	
Input Voltage	Vdd	Vdd=±5V	4.5	5.0	5.5	V
Supply Current	Idd	Vdd=5V	---	1.0	---	mA
Recommended LC Driving Voltage for normal Temperature Version module	Vdd-Vo	-20°C	---	---	5.8	V
		25°C	---	4.9	---	
		70°C	4.6	---	---	
See Specification for Backlight information.						

© 2012 GMS mbH. Errors and omissions excepted.