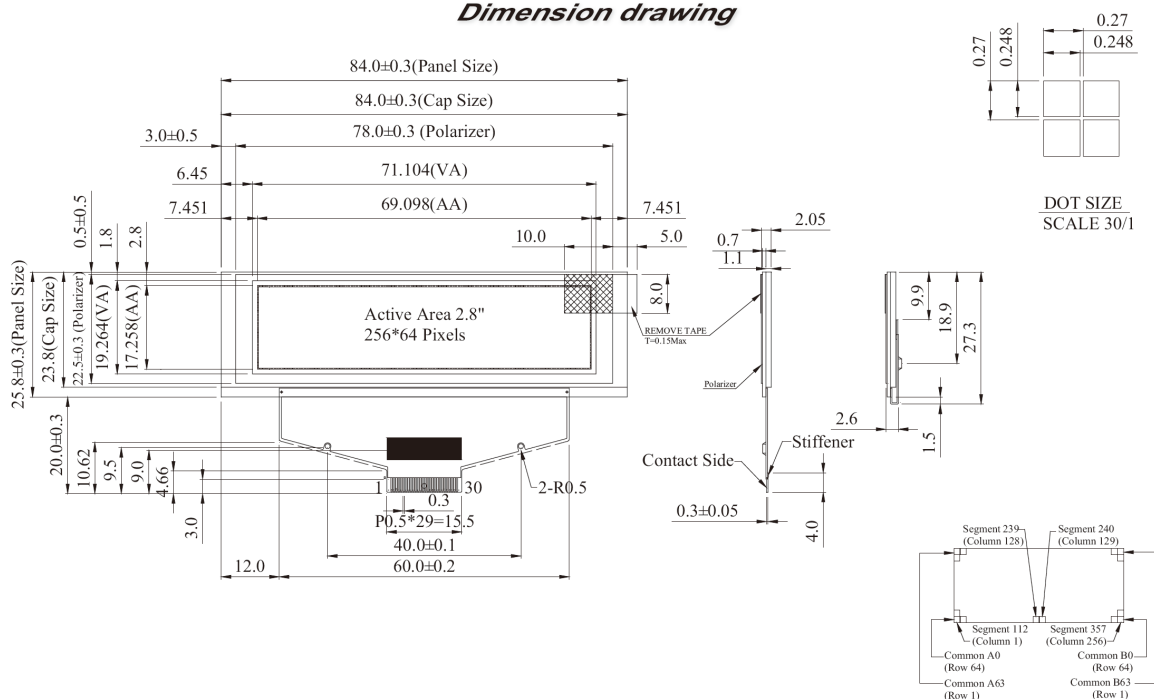


**Dimension drawing**



**Feature**

1. 256x64 dots
2. Built-in Controller SSD1322U
3. +3V power supply
4. 1/64 duty cycle
5. Interface: 6800, 8080, SPI
6. Polarizer optional

**Mechanical Date**

Item	Dimension	Unit
Module dimension	84.0 × 25.8 × 2.6	mm
View area	71.104 × 19.264	mm
Active area	69.098 × 17.258	mm
Dot Size	0.248 × 0.248	mm
Dot Pitch	0.27 × 0.27	mm

**Absolute Maximum Rating**

Parameter	Symbol	Min	Max	Unit	Notes
Supply Voltage for Logic	VDD	-0.3	4	V	1, 2
Supply Voltage for Display	VCC	0	16	V	1, 2

**Electronical Characteristics**

Characteristics	Symbol	Conditions	Min	Typ	Max	Unit
Supply Voltage for Operation	V <sub>CI</sub>		2.4	2.8	3.5	V
Supply Voltage for Logic	V <sub>DD</sub>		2.4	2.5	2.6	V
Supply Voltage for I/O Pins	V <sub>DDIO</sub>		1.65	1.8	V <sub>CI</sub>	V
Supply Voltage for Display	V <sub>CC</sub>	Note 3	11.5	12	12.5	V
High Level Input	V <sub>IH</sub>		0.8×V <sub>DDIO</sub>	-	V <sub>DDIO</sub>	V
Low Level Input	V <sub>IL</sub>		0	-	0.2×V <sub>DDIO</sub>	V
High Level Output	V <sub>OH</sub>	I <sub>OUT</sub> = 100µA, 3.3MHz	0.9×V <sub>DDIO</sub>	-	V <sub>DDIO</sub>	V
Low Level Output	V <sub>OL</sub>	I <sub>OUT</sub> = 100µA, 3.3MHz	0	0	0.1×V <sub>DDIO</sub>	V
Operating Current for V <sub>CI</sub>	I <sub>CI</sub>	Note 4 Note 5	--	1.8 1.8	2.25 2.25	mA
Operating Current for V <sub>CC</sub>	I <sub>CC</sub>	Note 4 Note 5	--	26.3 41.1	32.9 51.4	mA
Sleep Mode Current for V <sub>CI</sub>	I <sub>CC, SLEEP</sub>		-	1	5	µA
Sleep Mode Current for V <sub>CC</sub>	I <sub>CC, SLEEP</sub>		-	1	5	µA

Note 3: Brightness (L<sub>br</sub>) and Supply Voltage for Display (V<sub>CC</sub>) are subject to the change of the panel characteristics and the customer's request.

Note 4: V<sub>CI</sub> = 2.8V, V<sub>CC</sub> = 12V, 50% Display Area Turn on.

Note 5: V<sub>CI</sub> = 2.8V, V<sub>CC</sub> = 12V, 100% Display Area Turn on.

Pin No.	Symbol	Function		
1	NC(GDN)	Reserved Pin (Supporting Pin)		
2	VSS	Ground of Logic Circuit		
3	VCC	Power Supply for OEL Panel		
4	VCOMH	Voltage Output High Level for COM Signal		
5	VLSS	Ground of Analog Circuit		
6~13	D7~D0	Host Data Input/Output Bus		
14	E/RD#	Read/Write Enable or Read		
15	R/W#	Read/Write Select or Write		
16	BS0	Communicating Protocol Select		
17	BS1	These pins are MCU interface selection input. See the following table:		
			BS0	BS0
		3-wire SPI	1	0
		4-wire SPI	0	0
		8-bit 68XX Parallel	1	1
8-bit 80XX Parallel	0	1		
18	DC#	Data/Command Control		
19	CS#	Chip Select		
20	RES#	Power Reset for Controller and Driver		
21	FR	Frame Frequency Triggering Signal		
22	IREF	Current Reference for Brightness Adjustment		
23	NC	Reserved Pin		
24	VDDIO	Power Supply for I/O Pin		
25	VDD	Power Supply for Core Logic Circuit		
26	VCI	Power Supply for Operation		
27	VSL	Voltage Output Low Level for SEG Signal		
28	VLSS	Ground of Analog Circuit		
29	VCC	Power Supply for OEL Panel		
30	NC(GND)	Reserved Pin (Supporting Pin)		