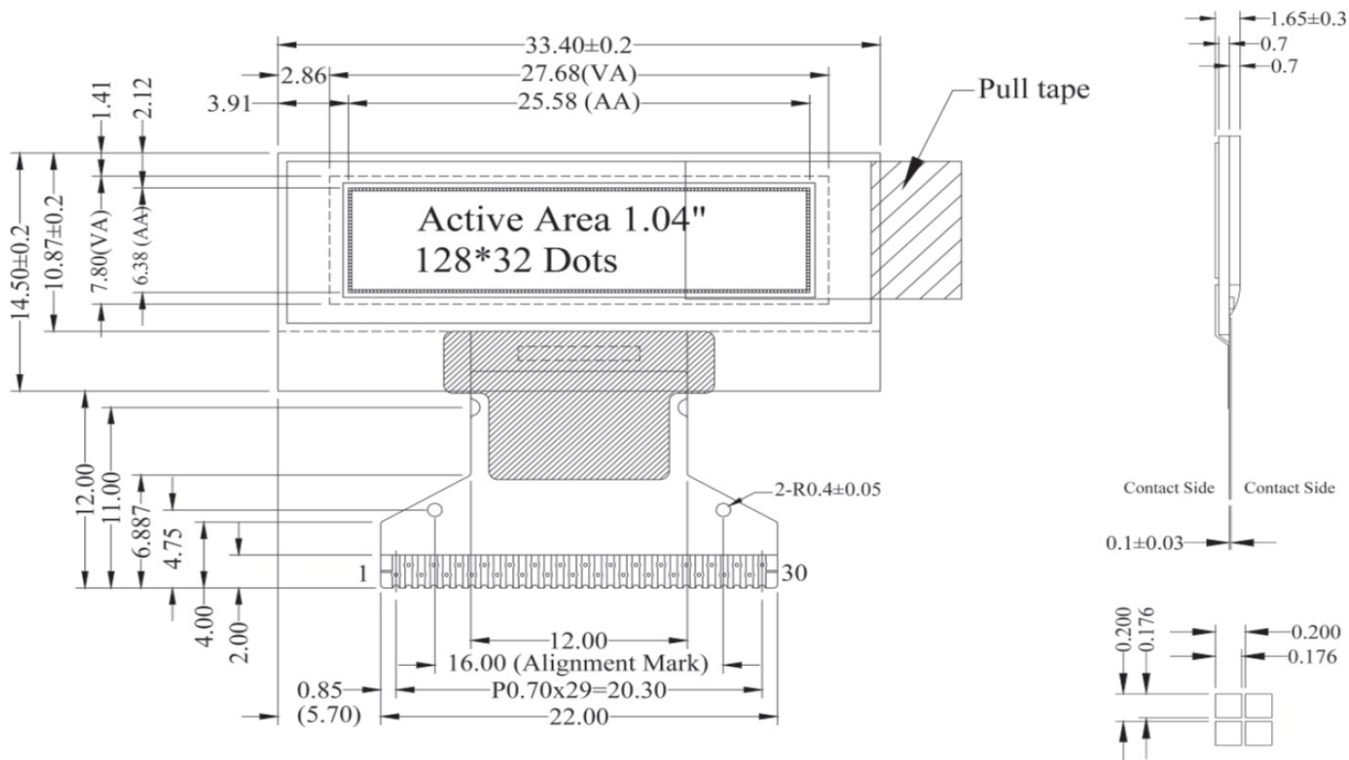


# MEO012832E

## OLED Graphic 128x32



SCALE: 10/1

### Feature

1. 128\*32 Dot Matrix
2. Built-in controller SSD1306BZ
3. +3V Power supply
4. 1/32 duty
5. Interface: 6800, 8080, SPI, I2C
6. Polarizer optional

Pin No.	Symbol	Description
1	NC	No Connection
2	C2N	Charge pump capacitor
3	C2P	Charge pump capacitor
4	C1P	Charge pump capacitor
5	C1N	Charge pump capacitor
6	VBAT	Charge pump regulator
7	NC	No Connection
8	VSS	Ground Pin
9	VDD	Voltage for logic
10	BS0	Interface selection
11	BS1	Interface selection
12	BS2	Interface selection
13	CS#	Chip Select Pin
14	RES#	Reset Signal Pin
15	D/C#	Data/Command Control Pin
16	R/W#	Read/Write Control
17	E/RD#	Chip Enable Signal
18~25	D0~D7	Data Bus
26	IREF	SEG output current refer pin
27	VCOMH	COM deselected level
28	VCC	Panel driving voltage
29	VLSS	Analog system ground pin
30	NC	No Connection

### Mechanical Data

Item	Standard Value	Unit
Module Dimension	33.40 x 14.50	mm
Viewing Area	27.68 x 7.80	mm
Active Area	25.58 x 6.38	mm
Dot Pitch	0.20 x 0.20	mm
Dot Size	0.176 x 0.176	mm

### Electrical Characteristics

Item	Symbol	Condition	Standard Value			Unit
			min.	typ.	max.	
Input Voltage	VDD	---	2.8	3.0	3.3	V

© 2016 GMS Display Systems. Errors and omissions excepted.