

DLC Display Co., Limited

德爾西顯示器有限公司



MODEL No:DLC0570CDG

TEL: 86-755-86029824

FAX: 86-755-86029827

E-MAIL: sales@dlcdisplay.com

WEB: www.dlcdisplay.com

Record of Revision

| Date | Revision No. | Summary |
|------------|--------------|---|
| 2008-07-12 | 1.0 | Rev 1.0 was issued |
| 2014-01-06 | 1.1 | Update the backlight to 490nits and thickness |
| | | |

1. Scope

This data sheet is to introduce the specification of DLC0570CDG, active matrix TFT module. It is composed of a color TFT-LCD panel, driver ICs, FPC and a backlight unit. The 5.7 " display area contains 320(RGB) x 240 pixels.

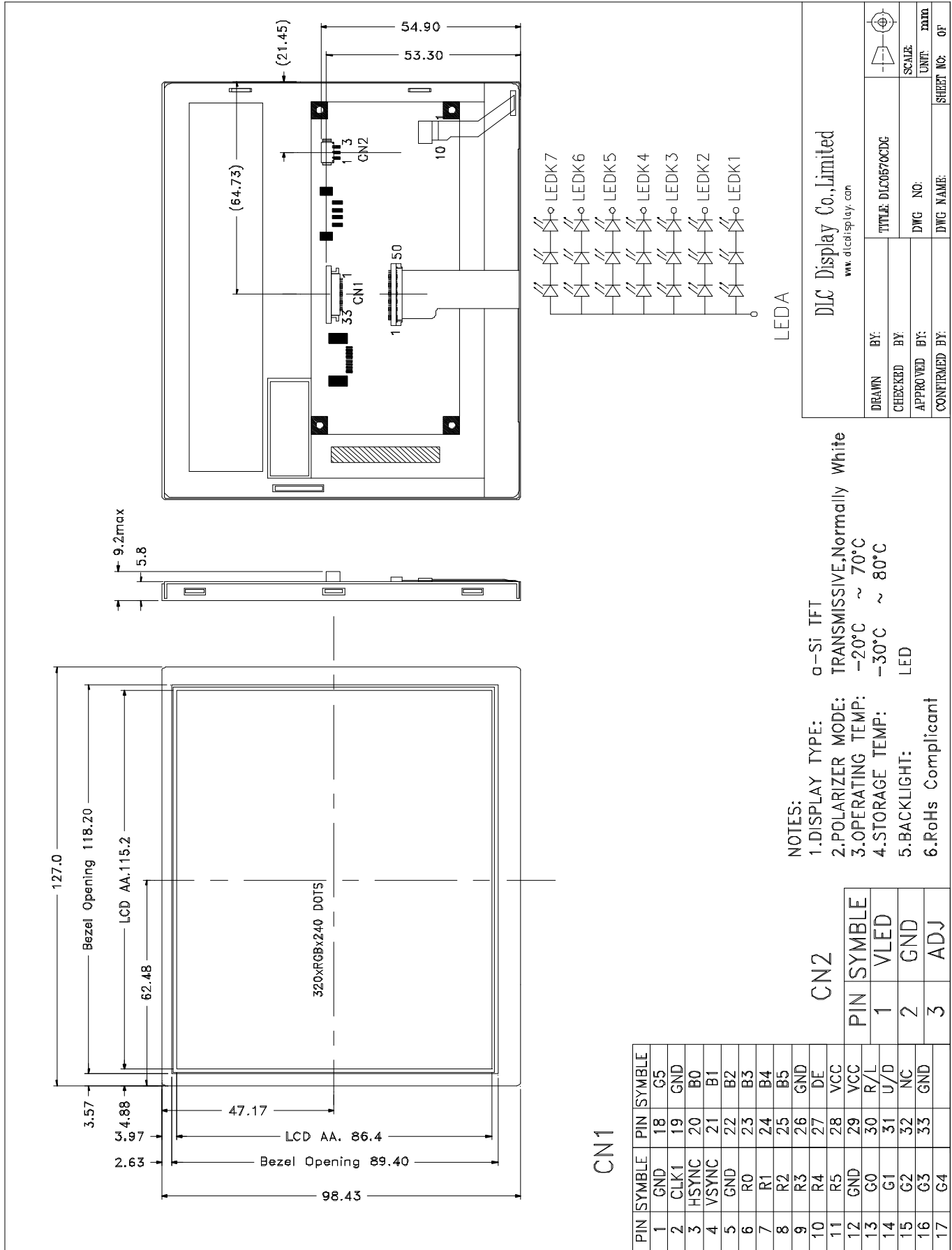
2. Application

Digital equipments which need color display, medical or industrial application.

3. General Information

| Item | Contents | Unit |
|-------------------------------|---------------------------------|------|
| Size | 5.7 | inch |
| Resolution | 320x(RGB) x 240 | / |
| Technology type | a-Si TFT | / |
| Interface | TTL | |
| Pixel pitch(W x H) | 0.36x0.36 | mm |
| Pixel Configuration | R.G.B. Vertical Stripe | |
| Outline Dimension (W x H x D) | 127.0 x 98.43x9.2max | mm |
| Active Area(W x H) | 115.2 x 86.4 | mm |
| Display Mode | Transmissive, Normally White | / |
| Backlight Type | LED | / |

4. Outline Drawing



5. Interface signals

5.1 TFT PIN:

| No | Symbol | Description | Remarks |
|----|--------|---|---------|
| 1 | GND | Ground for logic circuit | |
| 2 | CLK1 | Data sampling clock | |
| 3 | HSYNC | Horizontal synchronous signal | |
| 4 | VSYNC | Vertical synchronous signal | |
| 5 | GND | Ground | |
| 6 | R0 | Red pixel data(LSB) | |
| 7 | R1 | Red pixel data | |
| 8 | R2 | Red pixel data | |
| 9 | R3 | Red pixel data | |
| 10 | R4 | Red pixel data | |
| 11 | R5 | Red pixel data(MSB) | |
| 12 | GND | Ground | |
| 13 | G0 | Green pixel data(LSB) | |
| 14 | G1 | Green pixel data | |
| 15 | G2 | Green pixel data | |
| 16 | G3 | Green pixel data | |
| 17 | G4 | Green pixel data | |
| 18 | G5 | Green pixel data(MSB) | |
| 19 | GND | Ground | |
| 20 | B0 | Blue pixel data(LSB) | |
| 21 | B1 | Blue pixel data | |
| 22 | B2 | Blue pixel data | |
| 23 | B3 | Blue pixel data | |
| 24 | B4 | Blue pixel data | |
| 25 | B5 | Blue pixel data(MSB) | |
| 26 | GND | Ground | |
| 27 | DE | Data enable(connected to GND, if sync mode) | |
| 28 | VCC | Power supply:+3.3v | |
| 29 | VCC | Power supply:+3.3v | |
| 30 | R/L | Horizontal display mode select signal. Left /right scan control input | |
| 31 | U/D | Vertical display mode select signal. Up/down scan control input | |
| 32 | NC | No connection | |
| 33 | GND | Ground | |

Connector:08-6210-033-340-800(ELCO)

Note: U/D and L/R control Function

| L/R | U/D | Function |
|-----|-----|---|
| 0 | 1 | Normally display |
| 1 | 1 | Left and Right opposite |
| 0 | 0 | Up and Down opposite |
| 1 | 0 | Left and Right opposite, Up and Down opposite |

5.2 CN2 PINs Connections:

| No | Symbol | Description | Remarks |
|----|--------|-------------------------------------|---------|
| 1 | VLED | Power supply for LED driver circuit | |
| 2 | GND | ground | |
| 3 | ADJ | brightness control for LED B/L | |

Connector: Molex 53261-0371

6. Absolute maximum Ratings

6.1. Electrical Absolute max. ratings

| Parameter | Symbol | MIN | MAX | Unit | Remark |
|----------------------|--------|------|---------|------|--------|
| Power supply Voltage | VCC | -0.3 | 5.0 | V | |
| Logic input voltage | VIN | -0.3 | VCC+0.3 | V | |

6.2 Environment Conditions

| Item | Symbol | MIN | MAX | Unit | Remark |
|-----------------------|--------|-----|-----|------|--------|
| Operating Temperature | TOPR | -20 | 70 | °C | |
| Storage Temperature | TSTG | -30 | 80 | °C | |

7. Electrical Specifications

7.1 Electrical characteristics

GND=0V, Ta=25°C

| Item | Symbol | MIN | TYP | MAX | Unit | Remark |
|----------------------|-----------------|---------|-----|---------|-------|----------|
| Power Supply Voltage | VCC | 3.0 | 3.3 | 3.6 | V | |
| Power Supply Current | Icc | - | 62 | 80 | mA | VCC=3.3V |
| Ripple voltage | V _{RF} | - | - | 100 | mVp-p | |
| Input Signal Voltage | V _{IL} | 0 | - | 0.3*VCC | V | |
| | V _{IH} | 0.7*VCC | - | VCC | V | |
| ADJ frequency | | 19K | 20K | 21K | Hz | |
| ADJ input voltage | V _{IL} | 0 | - | 0.3 | | |
| | V _{IH} | 3.0 | - | 3.3 | | |

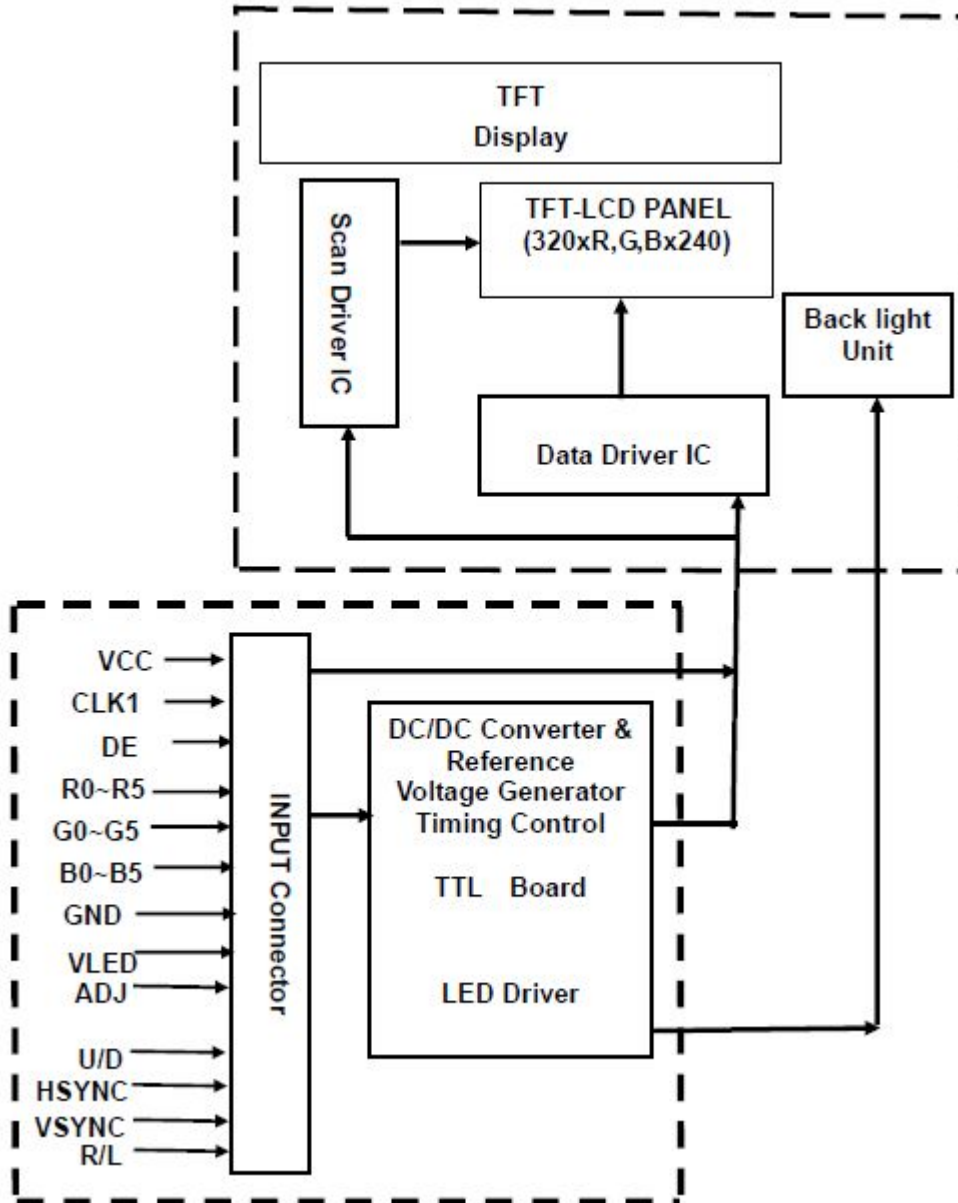
7.2 LED Backlight

Ta=25°C

| Item | Symbol | MIN | TYP | MAX | Unit | Remark |
|-----------------|----------------|-----|--------|-----|------|--------|
| Forward Current | I _f | - | 333 | 400 | mA | |
| Forward Voltage | V _F | 4.5 | 5.0 | 5.5 | V | |
| Life time | | - | 50,000 | | Hrs | Note 1 |

Note 1: The "LED life time" is defined as the brightness decrease to 50% original brightness that the ambient temperature is 22°C and LED dice current=20mA.

7.3 Schematic of LCD module system

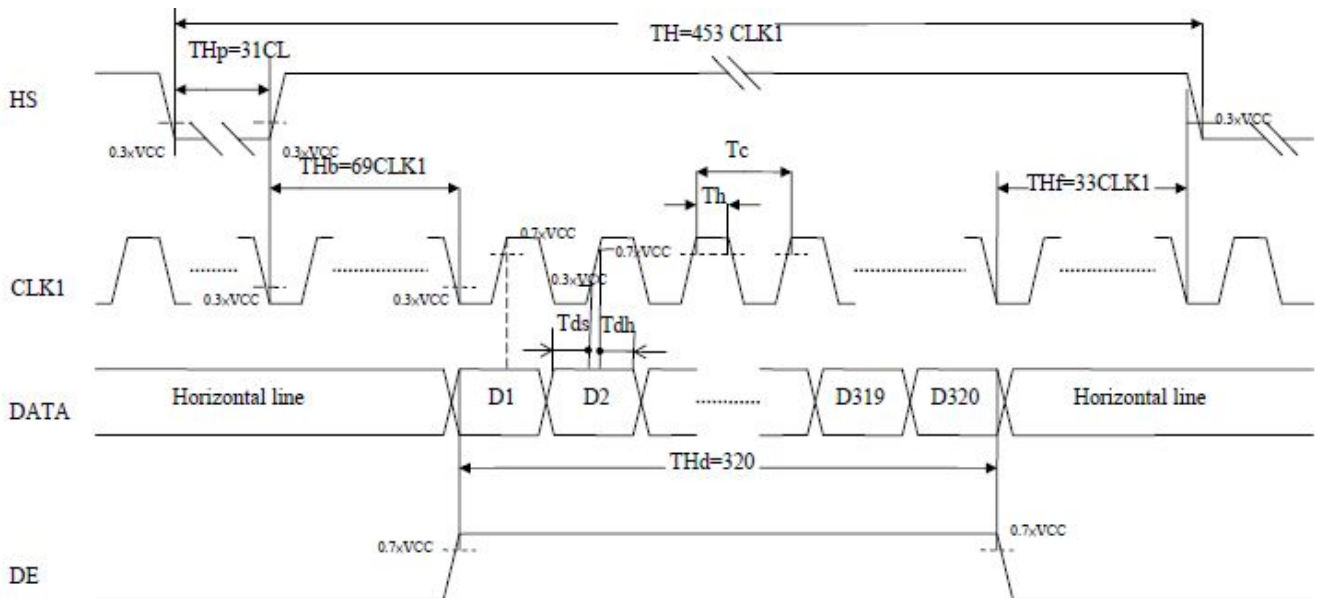


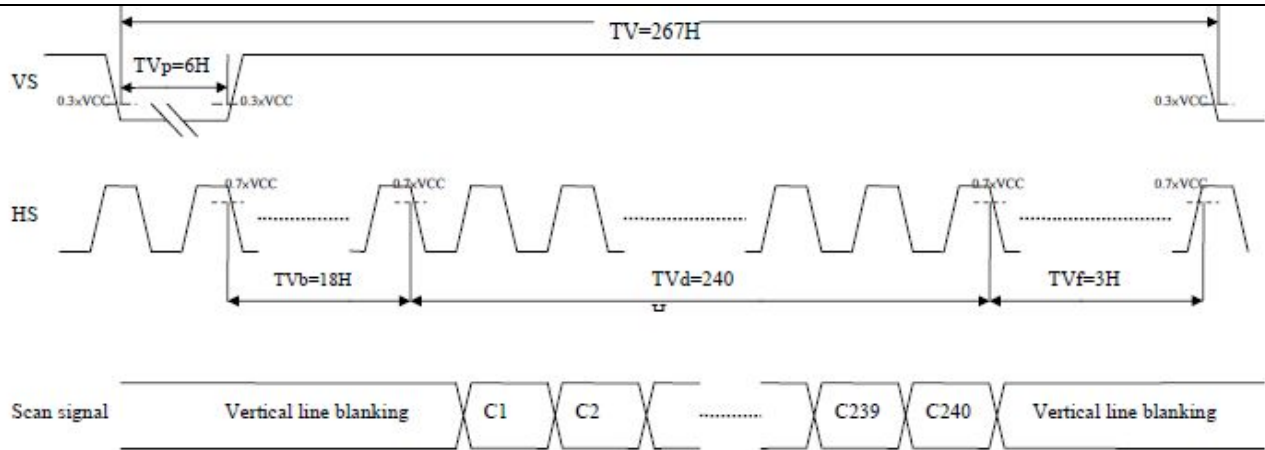
8. Command/AC Timing

8.1 Input Signal Timing Specifications

| Parameter | | Symbol | MIN. | TYP. | MAX. | Unit | Remarks |
|--------------------------|-------------------|--------|------|------|------|-------|---------|
| CLK | Frequency | 1/Tc | | 7.21 | | MHz | |
| | Duty ratio | Th/Tc | 40 | 50 | 60 | % | |
| DATA | Setup time | Tds | 12 | | | ns | |
| | Hold time | Tdh | 12 | | | ns | |
| Horizontal synchronizing | Period | TH | -- | 453 | -- | Clock | |
| | Pulse width | THp | -- | 31 | -- | Clock | |
| | Horizontal period | THd | -- | 320 | -- | Clock | |
| | Back porch | THb | -- | 69 | -- | Clock | |
| | Front porch | THf | -- | 33 | -- | Clock | |
| Vertical synchronizing | Period | TV | -- | 267 | -- | Line | |
| | Pulse width | TVp | -- | 6 | -- | Line | |
| | Vertical period | TVd | -- | 240 | -- | Line | |
| | Back porch | TVb | -- | 18 | -- | Line | |
| | Front porch | TVf | -- | 3 | -- | Line | |

Note : In case of using the slow frequency, the deterioration of display flicker etc may occur.
The timing characteristics are basically fixed as above.





8.2 SYNC mode timing (DE connect to GND)

| Parameter | | Symbol | MIN. | TYP. | MAX. | Unit | Remarks |
|--------------------------|-------------------|-----------|------|------|------|-------|---------|
| CLK | Frequency | $1/T_c$ | | 6.41 | | MHz | |
| | Duty ratio | T_h/T_c | 40 | 50 | 60 | % | |
| DATA | Setup time | T_{ds} | 12 | | | ns | |
| | Hold time | T_{dh} | 12 | | | ns | |
| Horizontal synchronizing | Period | T_H | -- | 408 | -- | Clock | |
| | Pulse width | T_{Hp} | -- | 30 | -- | Clock | |
| | Horizontal period | T_{Hd} | -- | 320 | -- | Clock | |
| | Back porch | T_{Hb} | -- | 38 | -- | Clock | |
| | Front porch | T_{Hf} | -- | 20 | -- | Clock | |
| Vertical synchronizing | Period | T_V | -- | 262 | -- | Line | |
| | Pulse width | T_{Vp} | -- | 4 | -- | Line | |
| | Vertical period | T_{Vd} | -- | 240 | -- | Line | |
| | Back porch | T_{Vb} | -- | 15 | -- | Line | |
| | Front porch | T_{Vf} | -- | 3 | -- | Line | |

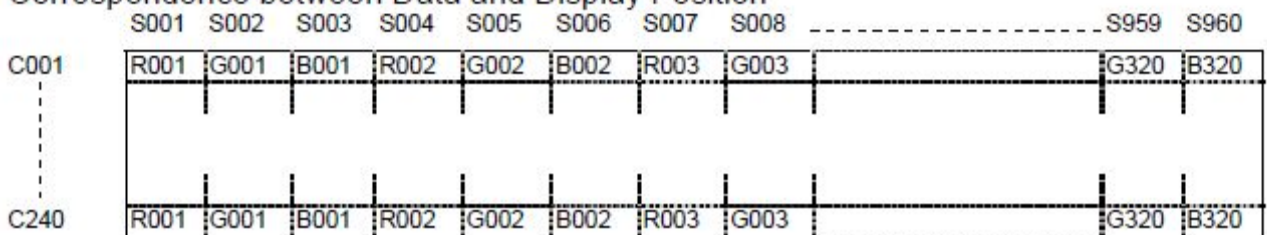
Note:

In case of using the slow frequency, the deterioration of display flicker etc may occur. The timing characteristics are basically fixed as above.

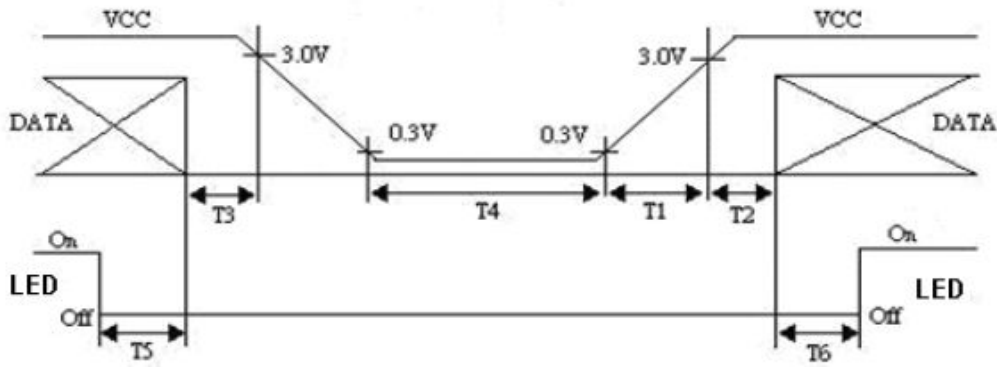
8.3 Color Data Assignment

| | | Data Signal | | | | | | | | | | | | | | | | | |
|---------------------|----------------|-------------|----|----|----|----|----|-------|----|----|----|----|----|------|----|----|----|----|----|
| | | Red | | | | | | Green | | | | | | Blue | | | | | |
| Color | | R5 | R4 | R3 | R2 | R1 | R0 | G5 | G4 | G3 | G2 | G1 | G0 | B5 | B4 | B3 | B2 | B1 | B0 |
| Basic Colors | Black | 0 | 0 | 0 | 0 | 0 | 0 | 0 | 0 | 0 | 0 | 0 | 0 | 0 | 0 | 0 | 0 | 0 | 0 |
| | Red | 1 | 1 | 1 | 1 | 1 | 1 | 0 | 0 | 0 | 0 | 0 | 0 | 0 | 0 | 0 | 0 | 0 | 0 |
| | Green | 0 | 0 | 0 | 0 | 0 | 0 | 1 | 1 | 1 | 1 | 1 | 1 | 0 | 0 | 0 | 0 | 0 | 0 |
| | Blue | 0 | 0 | 0 | 0 | 0 | 0 | 0 | 0 | 0 | 0 | 0 | 0 | 1 | 1 | 1 | 1 | 1 | 1 |
| | Cyan | 0 | 0 | 0 | 0 | 0 | 0 | 1 | 1 | 1 | 1 | 1 | 1 | 1 | 1 | 1 | 1 | 1 | 1 |
| | Magenta | 1 | 1 | 1 | 1 | 1 | 1 | 0 | 0 | 0 | 0 | 0 | 0 | 1 | 1 | 1 | 1 | 1 | 1 |
| | Yellow | 1 | 1 | 1 | 1 | 1 | 1 | 1 | 1 | 1 | 1 | 1 | 1 | 0 | 0 | 0 | 0 | 0 | 0 |
| | White | 1 | 1 | 1 | 1 | 1 | 1 | 1 | 1 | 1 | 1 | 1 | 1 | 1 | 1 | 1 | 1 | 1 | 1 |
| Gray Scale of Red | Red(0) / Dark | 0 | 0 | 0 | 0 | 0 | 0 | 0 | 0 | 0 | 0 | 0 | 0 | 0 | 0 | 0 | 0 | 0 | 0 |
| | Red(1) | 0 | 0 | 0 | 0 | 0 | 1 | 0 | 0 | 0 | 0 | 0 | 0 | 0 | 0 | 0 | 0 | 0 | 0 |
| | Red(2) | 0 | 0 | 0 | 0 | 1 | 0 | 0 | 0 | 0 | 0 | 0 | 0 | 0 | 0 | 0 | 0 | 0 | 0 |
| | : | : | : | : | : | : | : | : | : | : | : | : | : | : | : | : | : | : | : |
| | : | : | : | : | : | : | : | : | : | : | : | : | : | : | : | : | : | : | : |
| | Red(61) | 1 | 1 | 1 | 1 | 0 | 1 | 0 | 0 | 0 | 0 | 0 | 0 | 0 | 0 | 0 | 0 | 0 | 0 |
| | Red(62) | 1 | 1 | 1 | 1 | 1 | 0 | 0 | 0 | 0 | 0 | 0 | 0 | 0 | 0 | 0 | 0 | 0 | 0 |
| Red(63) | 1 | 1 | 1 | 1 | 1 | 1 | 0 | 0 | 0 | 0 | 0 | 0 | 0 | 0 | 0 | 0 | 0 | 0 | |
| Gray Scale of Green | Green(0)/ Dark | 0 | 0 | 0 | 0 | 0 | 0 | 0 | 0 | 0 | 0 | 0 | 0 | 0 | 0 | 0 | 0 | 0 | 0 |
| | Green(1) | 0 | 0 | 0 | 0 | 0 | 0 | 0 | 0 | 0 | 0 | 0 | 1 | 0 | 0 | 0 | 0 | 0 | 0 |
| | Green(2) | 0 | 0 | 0 | 0 | 0 | 0 | 0 | 0 | 0 | 0 | 1 | 0 | 0 | 0 | 0 | 0 | 0 | 0 |
| | : | : | : | : | : | : | : | : | : | : | : | : | : | : | : | : | : | : | : |
| | : | : | : | : | : | : | : | : | : | : | : | : | : | : | : | : | : | : | : |
| | Green(61) | 0 | 0 | 0 | 0 | 0 | 0 | 1 | 1 | 1 | 1 | 0 | 1 | 0 | 0 | 0 | 0 | 0 | 0 |
| | Green(62) | 0 | 0 | 0 | 0 | 0 | 0 | 1 | 1 | 1 | 1 | 1 | 0 | 0 | 0 | 0 | 0 | 0 | 0 |
| Green(63) | 0 | 0 | 0 | 0 | 0 | 0 | 1 | 1 | 1 | 1 | 1 | 1 | 0 | 0 | 0 | 0 | 0 | 0 | |
| Gray Scale of Blue | Blue(0)/ Dark | 0 | 0 | 0 | 0 | 0 | 0 | 0 | 0 | 0 | 0 | 0 | 0 | 0 | 0 | 0 | 0 | 0 | 0 |
| | Blue (1) | 0 | 0 | 0 | 0 | 0 | 0 | 0 | 0 | 0 | 0 | 0 | 0 | 0 | 0 | 0 | 0 | 0 | 1 |
| | Blue (2) | 0 | 0 | 0 | 0 | 0 | 0 | 0 | 0 | 0 | 0 | 0 | 0 | 0 | 0 | 0 | 0 | 1 | 0 |
| | : | : | : | : | : | : | : | : | : | : | : | : | : | : | : | : | : | : | : |
| | : | : | : | : | : | : | : | : | : | : | : | : | : | : | : | : | : | : | : |
| | Blue (61) | 0 | 0 | 0 | 0 | 0 | 0 | 0 | 0 | 0 | 0 | 0 | 0 | 1 | 1 | 1 | 1 | 0 | 1 |
| | Blue (62) | 0 | 0 | 0 | 0 | 0 | 0 | 0 | 0 | 0 | 0 | 0 | 0 | 1 | 1 | 1 | 1 | 1 | 0 |
| Blue (63) | 0 | 0 | 0 | 0 | 0 | 0 | 0 | 0 | 0 | 0 | 0 | 0 | 1 | 1 | 1 | 1 | 1 | 1 | |

Correspondence between Data and Display Position



8.4 POWER ON/OFF SEQUENCE



Timing Specifications:
 $0 < T_1 \leq 15\text{mS}$
 $T_2 > 0.5\text{S}$
 $0 < T_3 \leq 0.1\text{S}$
 $T_4 > 1\text{S}$
 $T_5 > 0.1\text{S}$
 $T_6 > 0.1\text{S}$

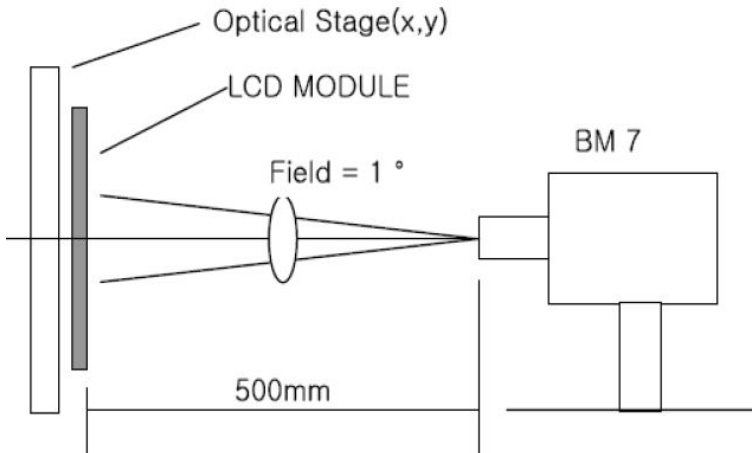
9. Optical Specification

| Item | Symbol | Condition | Min | Typ. | Max. | Unit | Remark |
|----------------|------------|------------------|---------------------|----------|-------|-------------------|-----------------|
| Contrast Ratio | CR | $\theta=0^\circ$ | 300 | 400 | - | | Note1 Note2 |
| Response Time | Ton | 25°C | - | 15 | 30 | ms | Note1 |
| | Toff | | | 35 | 30 | | Note3 |
| View Angles | θT | $CR \geq 10$ | | 60 | - | Degree | Note 4 |
| | θB | | | 60 | - | | |
| | θL | | | 50 | - | | |
| | θR | | | 60 | - | | |
| Chromaticity | White | x | Brightness is on | Typ-0.05 | 0.312 | Typ+0.05 | Note5, Note1 |
| | | y | | | 0.320 | | |
| | Red | x | | | 0.618 | | |
| | | y | | | 0.369 | | |
| | Green | x | | | 0.351 | | |
| | | y | | | 0.571 | | |
| | Blue | x | | | 0.144 | | |
| | | y | | | 0.081 | | |
| Luminance | L | | 440 | 490 | - | cd/m ² | Note1 Note6 |
| Uniformity | U | | 70 | 80 | - | % | Note1 Note7 |

Note 1: Definition of optical measurement system.

Temperature = 25°C(±3°C)

LED back-light: ON, Environment brightness < 150 lx

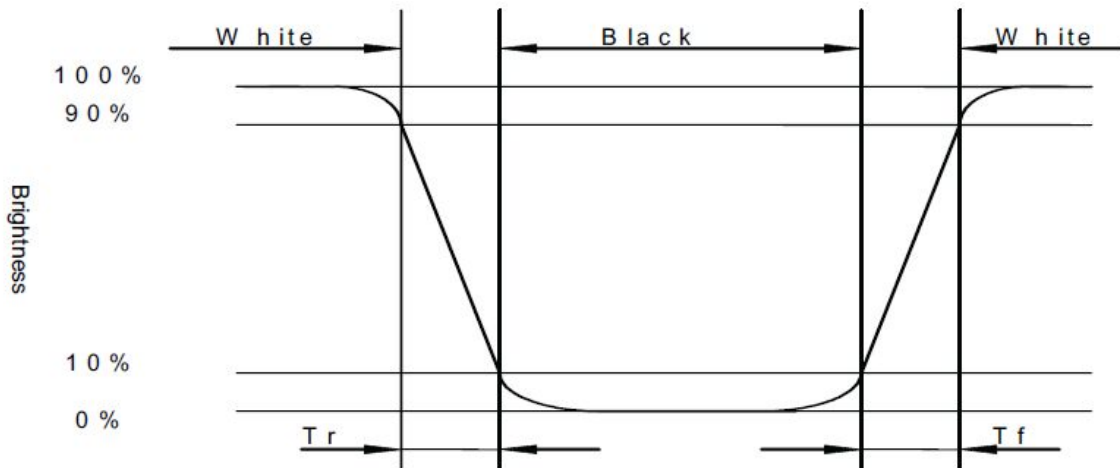


Note 2: Contrast ratio is defined as follow:

$$\text{Contrast Ratio} = \frac{\text{Surface Luminance with all white pixels}}{\text{Surface Luminance with all black pixels}}$$

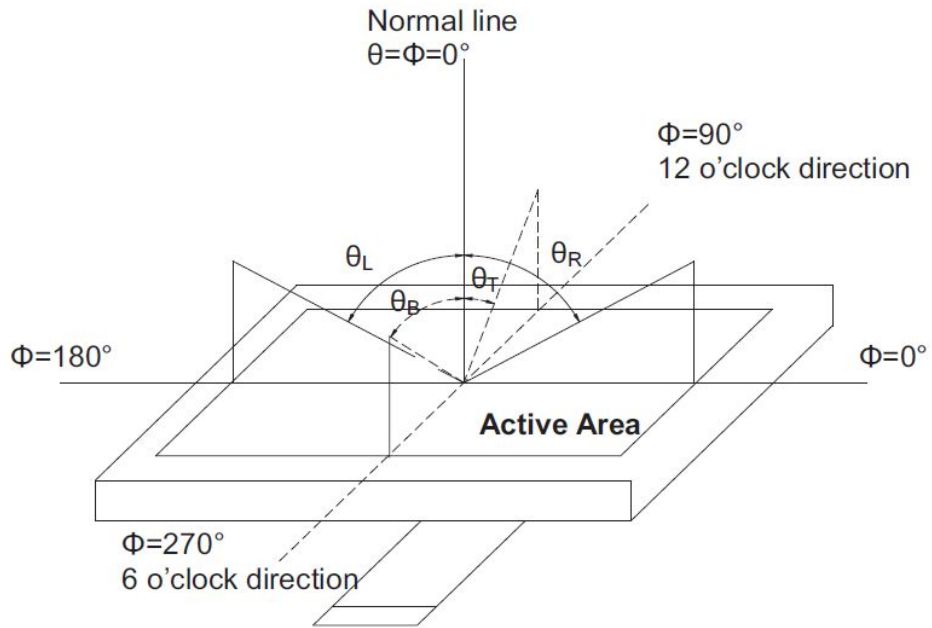
Note 3: Response time is defined as follow:

Response time is the time required for the display to transition from black to white (Rise Time, T_r) and from white to black(Decay Time, T_f).



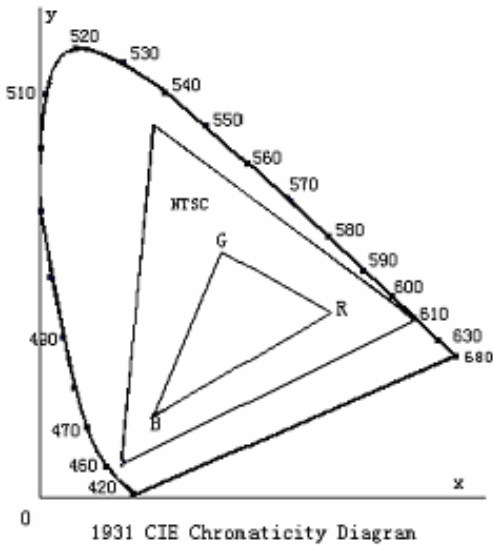
Note 4: Viewing angle range is defined as follow:

Viewing angle is measured at the center point of the LCD.



Note 5: Color chromaticity is defined as follow: (CIE1931)

Color coordinates measured at center point of LCD.



$$S = \frac{\text{area of RGB triangle}}{\text{area of NTSC triangle}} \times 100\%$$

Note 6: Luminance is defined as follow:

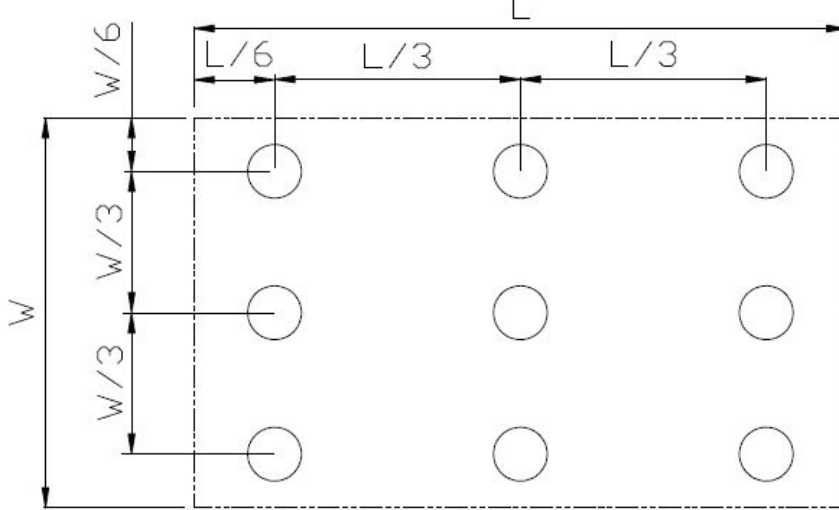
Luminance is defined as the brightness of all pixels “White” at the center of display area on optimum contrast

Note 7: Definition of Luminance Uniformity

Active area is divided into 9 measuring areas (Refer Fig. 2). Every measuring point is placed at the center of each measuring area.

Luminance Uniformity (U) = L_{min} / L_{max}

L-----Active area length W----- Active area width



10. Environmental / Reliability Tests

| No | Test Item | Condition | Judgment criteria |
|----|-----------------------------------|--|---|
| 1 | High Temp Operation | Ts=+70°C, 240hrs | Per table in below |
| 2 | Low Temp Operation | Ta=-20°C, 240hrs | Per table in below |
| 3 | High Temp Storage | Ta=+80°C, 240hrs | Per table in below |
| 4 | Low Temp Storage | Ta=-30°C, 240hrs | Per table in below |
| 5 | High Temp & High Humidity Storage | Ta=+60°C, 90% RH 240 hours | Per table in below (polarizer discoloration is excluded) |
| 6 | Thermal Shock (Non-operation) | -30°C 30 min~+80°C 30 min, Change time:5min, 10 Cycles | Per table in below |
| 7 | ESD (Operation) | C=150pF, R=330Ω , 5points/panel Air:±15KV, 5times; Contact:±8KV, 5 times; | Per table in below |
| 8 | Vibration (Non-operation) | Frequency range:10~55Hz, Stroke:1.5mm Sweep:10Hz~55Hz~10Hz 2 hours for each direction of X.Y.Z. | Per table in below |
| 9 | Shock (Non-operation) | 60G 6ms, ±X,±Y,±Z 3times, for each direction | Per table in below |
| 10 | Package Drop Test | Height:80 cm, 1 corner, 3 edges, 6 surfaces | Per table in below |

| INSPECTION | CRITERION(after test) |
|------------------------|---|
| Appearance | No Crack on the FPC, on the LCD Panel |
| Alignment of LCD Panel | No Bubbles in the LCD Panel No other Defects of Alignment in Active area |
| Electrical current | Within device specifications |
| Function / Display | No Broken Circuit, No Short Circuit or No Black line No Other Defects of Display |

11. Precautions for Use of LCD Modules

11.1 Safety

The liquid crystal in the LCD is poisonous. Do not put it in your mouth. If the liquid crystal touches your skin or clothes, wash it off immediately using soap and water.

11.2 Handling

- A. The LCD and touch panel is made of plate glass. Do not subject the panel to mechanical shock or to excessive force on its surface.
- B. Do not handle the product by holding the flexible pattern portion in order to assure the reliability
- C. Transparency is an important factor for the touch panel. Please wear clear finger sacks, gloves and mask to protect the touch panel from finger print or stain and also hold the portion outside the view area when handling the touch panel.
- D. Provide a space so that the panel does not come into contact with other components.
- E. To protect the product from external force, put a covering lens (acrylic board or similar board) and keep an appropriate gap between them.
- F. Transparent electrodes may be disconnected if the panel is used under environmental conditions where dew condensation occurs.
- G. Property of semiconductor devices may be affected when they are exposed to light, possibly resulting in IC malfunctions.
- H. To prevent such IC malfunctions, your design and mounting layout shall be done in the way that the IC is not exposed to light in actual use.

11.3 Static Electricity

- A. Ground soldering iron tips, tools and testers when they are in operation.
- B. Ground your body when handling the products.
- C. Power on the LCD module before applying the voltage to the input terminals.
- D. Do not apply voltage which exceeds the absolute maximum rating.
- E. Store the products in an anti-electrostatic bag or container.

11.4 Storage

- A. Store the products in a dark place at $+25^{\circ}\text{C} \pm 10^{\circ}\text{C}$ with low humidity (40% RH to 60% RH). Don't expose to sunlight or fluorescent light.
- B. Storage in a clean environment, free from dust, active gas, and solvent.

11.5 Cleaning

- A. Do not wipe the touch panel with dry cloth, as it may cause scratch.
- B. Wipe off the stain on the product by using soft cloth moistened with ethanol. Do not allow ethanol to get in between the upper film and the bottom glass. It may cause peeling issue or defective operation. Do not use any organic solvent or detergent other than ethanol.

11.6 Cautions for installing and assembling

Bezel edge must be positioned in the area between the Active area and View area. The bezel may press the touch screen and cause activation if the edge touches the active area. A gap of approximately 0.5mm is needed between the bezel and the top electrode. It may cause unexpected activation if the gap is too narrow. There is a tolerance of 0.2 to 0.3mm for the outside dimensions of the touch panel and tail. A gap must be made to absorb the tolerance in the case and connector.

