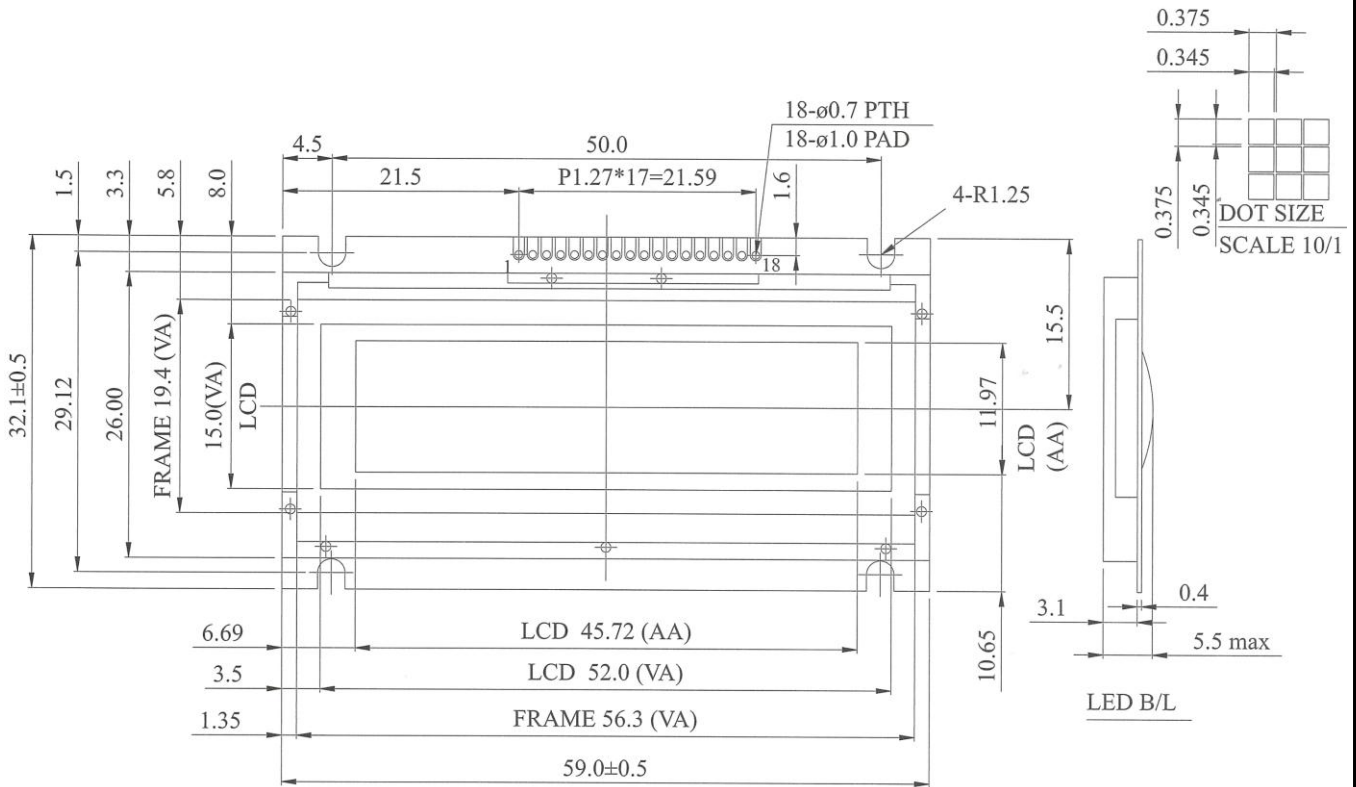


# MSG12232K

Graphic 122x32 dots

# GMS.

■ ■ ■ DISPLAY SYSTEMS



Feature		
1. Built-in controller Avant (SBN1661G) or equivalent		
2. 1/32 duty cycle		
3. White LED Backlight not available		
Pin	Symbol	Function
1	K	Power supply for B/L (-)
2	Vss	GND
3	VDD	Supply voltage for logic
4	Vo	Operating voltage for LCD
5	Ao	H: Data / L: Instruction
6	E1	Enable Chip 1
7	E2	Enable Chip 2
8	DB0	Data bus line
9	DB1	Data bus line
10	DB2	Data bus line
11	DB3	Data bus line
12	DB4	Data bus line
13	DB5	Data bus line
14	DB6	Data bus line
15	DB7	Data bus line
16	R/W	H: read data L: write data
17	Vee	Negative voltage output (Bulit-In)
18	A	Power supply for B/L (+)

Mechanical Data					
Item	Standard Value	Unit			
Module Dimension	59.0 x 32.1	mm			
Viewing Area	52.0 x 15.0	mm			
Mounting Hole	50.0 x 29.12	mm			
Dot Pitch	0.375 x 0.375	mm			
Absolute Maximum Rating					
Item	Symbol	Standard Value			Unit
		min	typ	max	
Power Supply	Vdd - Vss	2.75	5.0	5.25	V
Input Voltage	Vi	0	---	Vdd	V

Note: Vss=0 V, Vdd=5.0 V

Electronical Characteristics						
Item	Symbol	Condition	Standard Value			Unit
			min	typ	max	
Input Voltage	Vdd	Vdd=±5V	4.5	5.0	5.5	V
Supply Current	Idd	Vdd=5V	---	1.0	1.4	mA
Recommended LC Driving Voltage for normal Temperature Version module	Vdd-Vo	-20°C	---	---	5.5	V
		0°C	---	---	---	
		25°C	---	4.5	---	
		50°C	---	---	---	
		70°C	3.6	---	---	

See Specification for Backlight information.

© 2012 GMS mbH. Errors and omissions excepted.

info@gms-ds.de  
www.gms-ds.de

1 / 1

Richthofenstr. 3  
78048 VS-Villingen  
Germany